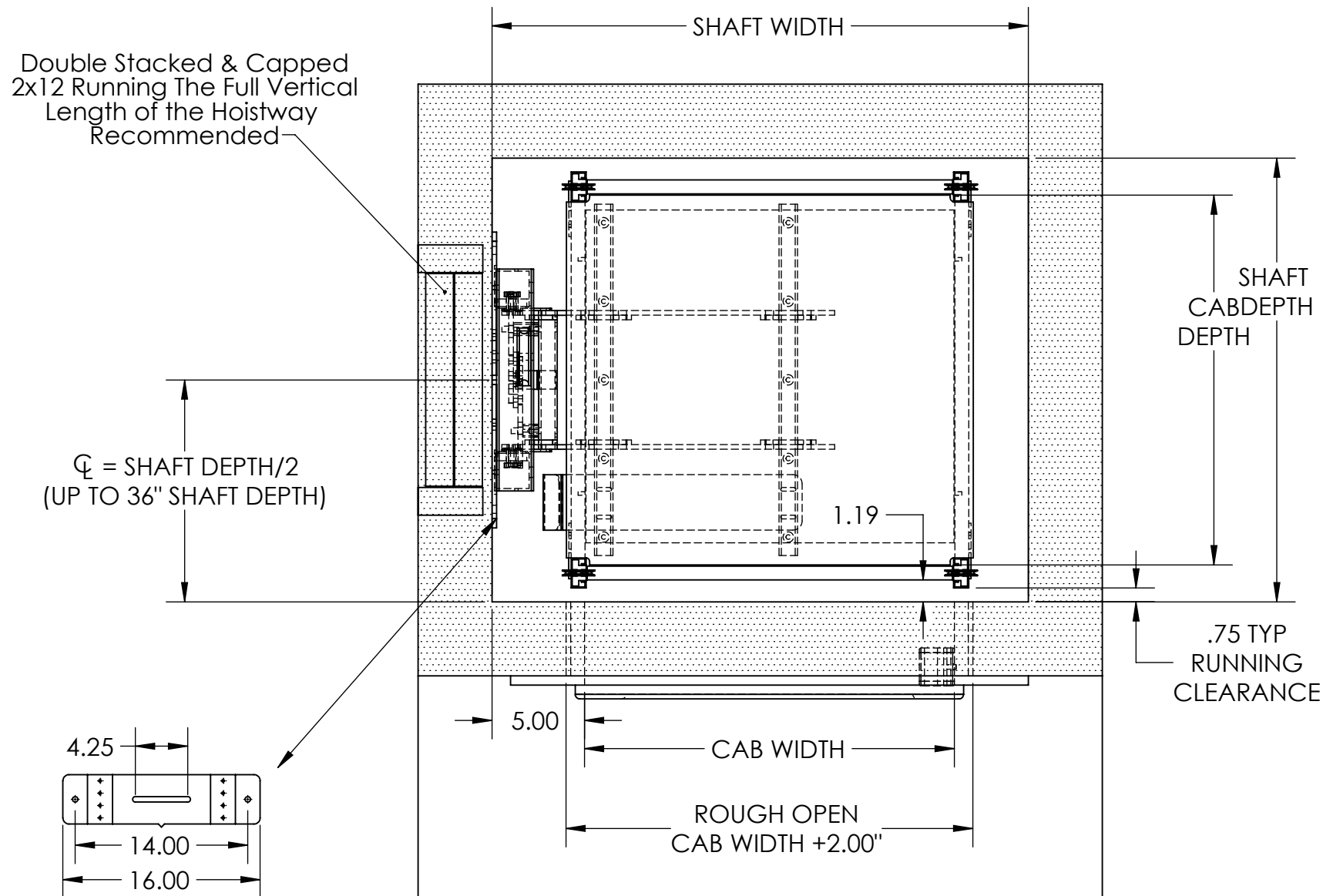


ALL DIMENSIONS ARE CLEAR INSIDE TO FINISHED DRYWALL



| SIDE RAIL CONFIGURATION CHART | | | | | |
|--|-------------|-----------|--------------------------------|--------------------------------|--|
| CAB WIDTH | SHAFT WIDTH | CAB DEPTH | MINIMUM FRONT ONLY SHAFT DEPTH | CRITICAL PASS THRU SHAFT DEPTH | |
| 14" | 24" | - | - | - | |
| 15" | 24" | - | - | - | |
| 16" | 24" | - | - | - | |
| 17" | 25" | 17" | 22" | 21" | |
| 18" | 26" | 18" | 23" | 22" | |
| 19" | 27" | 19" | 24" | 23" | |
| *20" | 28" | *20" | 25" | 24" | |
| 21" | 29" | 21" | 26" | 25" | |
| 22" | 30" | 22" | 27" | 26" | |
| 23" | 31" | 23" | 28" | 27" | |
| *24" | 32" | *24" | 29" | 28" | |
| SIZES OVER 24" REQUIRE 300LB OVERSIZED UPCHARGE | | | | | |
| 25" | 33" | 25" | 30" | 29" | |
| 26" | 34" | 26" | 31" | 30" | |
| 27" | 35" | 27" | 32" | 31" | |
| 28" | 36" | 28" | 33" | 32" | |
| 29" | 37" | 29" | 34" | 33" | |
| *30" | 38" | *30" | 35" | 34" | |
| CAB HEIGHTS AVAILABLE IN 30.00" & 36.00" | | | | | |
| *STANDARD SIZES | | | | | |

**STRONGLY RECOMMEND LEAVING FRONT OF HOISTWAY OPEN AT BOTTOM FLOOR FOR INSTALLATION.
 ACCESS HATCH RECOMMENDED AT MOTOR LOCATION / MOTOR LOCATION RECOMMENDED AT BOTTOM (TOP OPTIONAL).
 SHAFT CONTRUCTION TO MEET ALL LOCAL JURISDICTION REQUIREMENTS.**



| | |
|-------------------------|---|
| MODEL | QS-200 DUMBWAITER |
| CAPACITY | 200 LBS STANDARD / 300LBS OVERSIZE PACKAGE OPTIONAL |
| SPEED | 32 FPM (Nominal) |
| DRIVE | CHAIN DRIVE GEAR MOTOR |
| OPERATION | AUTOMATIC OPERATION, MANUAL DOORS |
| ELECTRICAL REQUIREMENTS | REQUIRES A DEDICATED CIRCUIT, 120VAC, 15AMP OUTLET WITHIN SIGHT OF THE MOTOR. |
| CODE | AMSE 17.1.7 |

| | | | |
|----------------------|------------------------------|---|------------------|
| DO NOT SCALE DRAWING | NAME | DATE | PROJECT NAME |
| | KSB | 2-11-19 | |
| APPROVAL STATUS: | PROPRIETARY AND CONFIDENTIAL | | PROJECT LOCATION |
| | APPROVED | THE INFORMATION CONTAINED IN THIS DRAWING IS THE SOLE PROPERTY OF AMERIGLIDE. ANY REPRODUCTION IN PART OR AS A WHOLE WITHOUT THE WRITTEN PERMISSION OF PLI IS PROHIBITED. | |
| APPROVED AS NOTED | COMMENTS: | | Generic |
| REVISE AND RESUBMIT | SCALE | DWG. NO. | REV. |
| SIGNATURE | A | | |
| | SCALE 1:16 | | SHEET 2 OF 4 |