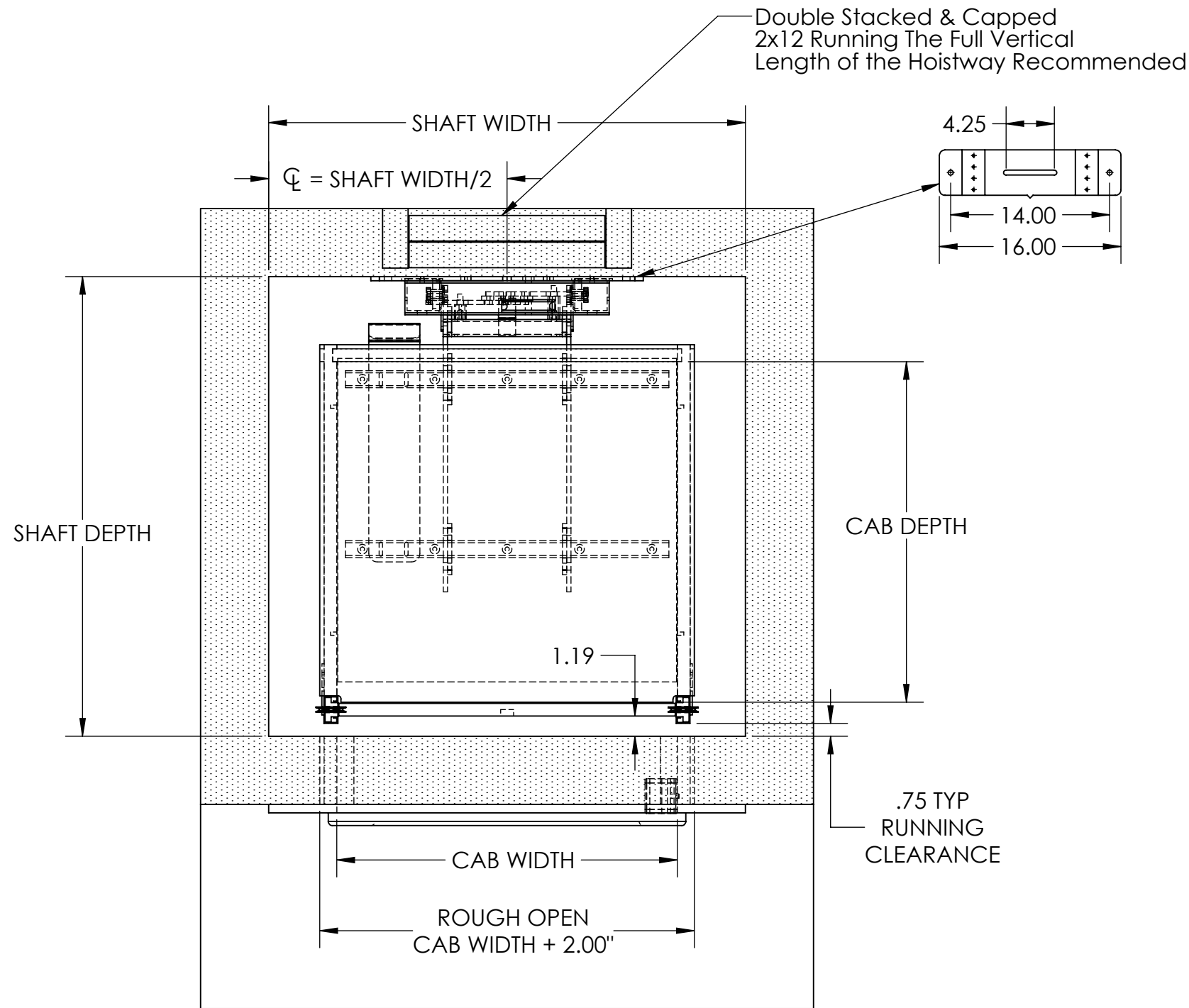


ALL DIMENSIONS ARE CLEAR INSIDE TO FINISHED DRYWALL



REAR RAIL CONFIGURATION CHART

CAB WIDTH	MIN SHAFT WIDTH	CAB DEPTH	CRITICAL SHAFT DEPTH
14"	24"	14"	21"-22"
15"	24"	15"	22"-23"
16"	24"	16"	23"-24"
17"	25"	17"	24"-25"
18"	26"	18"	25"-26"
19"	27"	19"	26"-27"
*20"	28"	*20"	27"-28"
21"	29"	21"	28"-29"
22"	30"	22"	29"-30"
23"	31"	23"	30"-31"
*24"	32"	*24"	31"-32"
SIZES OVER 24" REQUIRE 300LB OVERSIZED UPCHARGE			
25"	33"	25"	32"-33"
26"	34"	26"	33"-34"
27"	35"	27"	34"-35"
28"	36"	28"	35"-36"
29"	37"	29"	36"-37"
*30"	38"	*30"	37"-38"
CAB HEIGHTS AVAILABLE IN 30.00" & 36.00"			
*STANDARD SIZES			

**STRONGLY RECOMMEND LEAVING FRONT OF HOISTWAY OPEN AT BOTTOM FLOOR FOR INSTALLATION.
ACCESS HATCH RECOMMENDED AT MOTOR LOCATION / MOTOR LOCATION RECOMMENDED AT BOTTOM (TOP OPTIONAL).
SHAFT CONTRUCTION TO MEET ALL LOCAL JURISDICTION REQUIREMENTS.**



MODEL	QS-200 DUMBWAITER
CAPACITY	200 LBS STANDARD / 300LBS OVERSIZE PACKAGE OPTIONAL
SPEED	32 FPM (Nominal)
DRIVE	CHAIN DRIVE GEAR MOTOR
OPERATION	AUTOMATIC OPERATION, MANUAL DOORS
ELECTRICAL REQUIREMENTS	REQUIRES A DEDICATED CIRCUIT, 120VAC, 15AMP OUTLET WITHIN SIGHT OF THE MOTOR.
CODE	AMSE 17.1.7

DO NOT SCALE DRAWING	NAME	DATE	PROJECT NAME
	DRAWN	KSB	2-11-19
APPROVAL STATUS:	PROPRIETARY AND CONFIDENTIAL		PROJECT LOCATION
	APPROVED	THE INFORMATION CONTAINED IN THIS DRAWING IS THE SOLE PROPERTY OF AMERIGLIDE. ANY REPRODUCTION IN PART OR AS A WHOLE WITHOUT THE WRITTEN PERMISSION OF PLI IS PROHIBITED.	
APPROVED AS NOTED	COMMENTS:		Generic
REVISE AND RESUBMIT	SCALE 1:16		REV.
SIGNATURE	SHEET 1 OF 4		