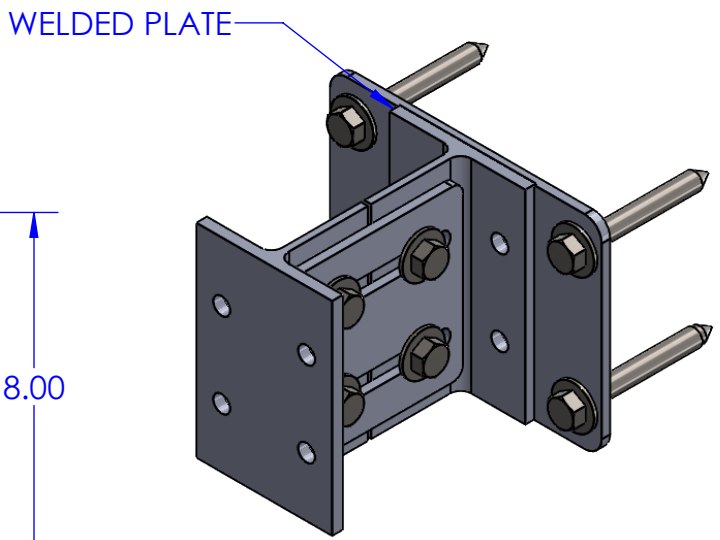
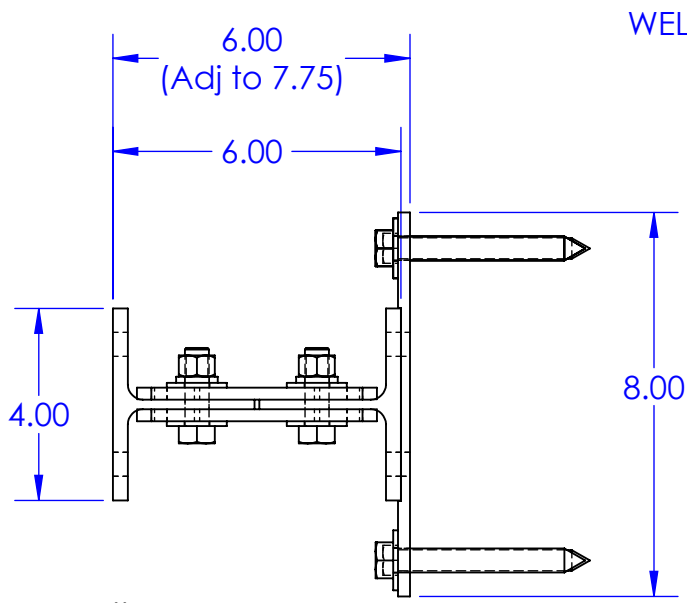
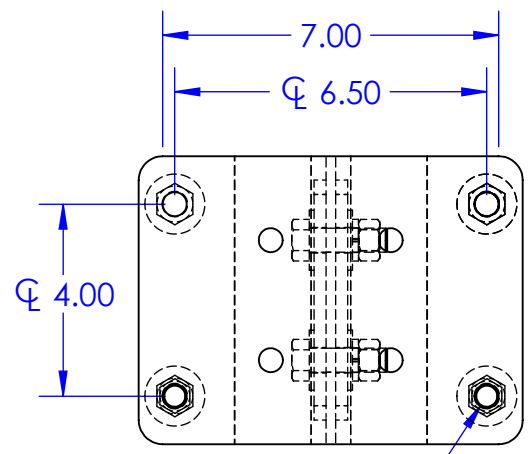
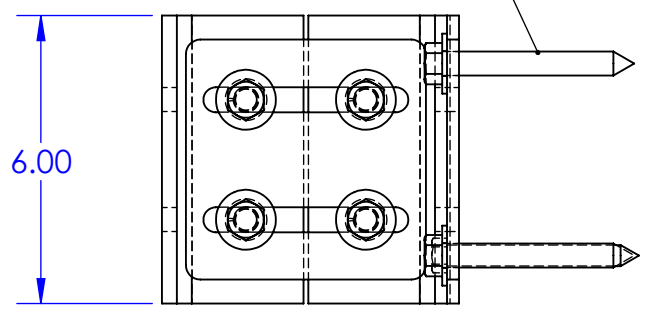


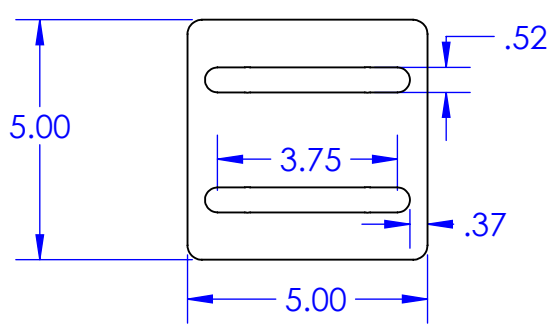
# ODE-500 Adjustable Tower StandOff Support



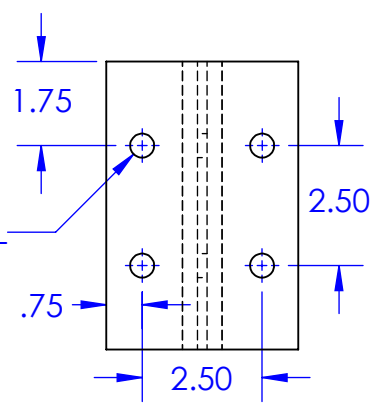
3/8 Lag Bolt  
Optional: 3/8 Through Bolt  
(see stamped drawing for penetration requirements)



Ø .4375 THRU

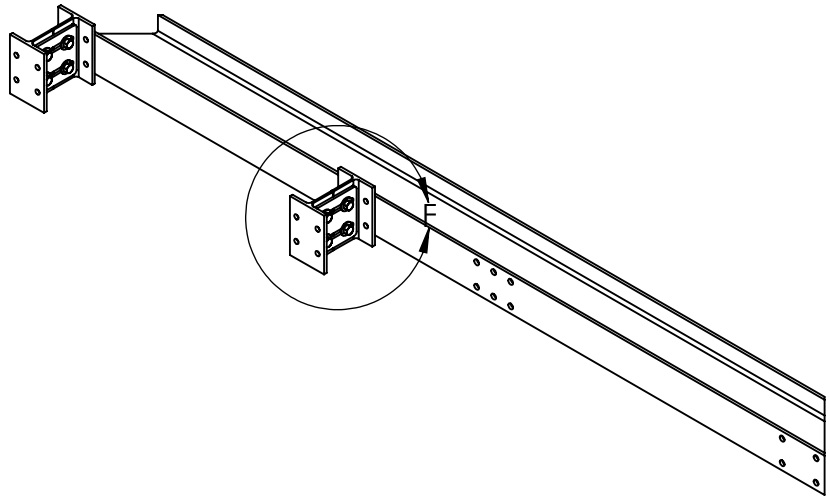
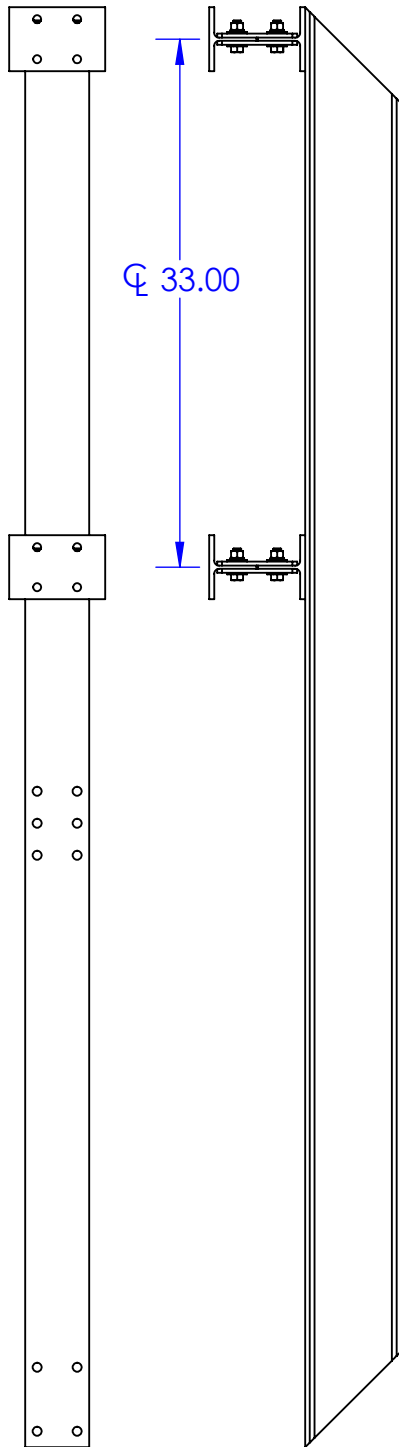


4X Ø .50 THRU ALL

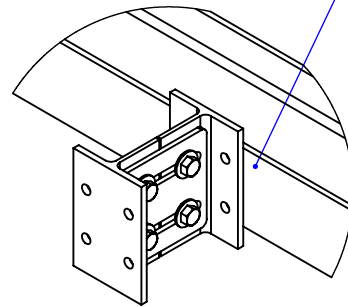


DO NOT SCALE DRAWING	NAME	DATE	PROJECT NAME
	DRAWN	KSB	11-8-19
APPROVAL STATUS:	PROPRIETARY AND CONFIDENTIAL		PROJECT LOCATION
	THE INFORMATION CONTAINED IN THIS DRAWING IS THE SOLE PROPERTY OF PRECISION LIFT INDUSTRIES, LLC. ANY REPRODUCTION IN PART OR AS A WHOLE WITHOUT THE WRITTEN PERMISSION OF PRECISION LIFT INDUSTRIES, LLC IS PROHIBITED.		COMMENTS:
APPROVED	SIZE		REV.
APPROVED AS NOTED	DWG. NO.		
REVISE AND RESUBMIT	SCALE 1:16		SHEET 1 OF 4
SIGNATURE			

# ODE-500 Adjustable Tower StandOffs W/ I-Beam



WHEN STANDOFF IS USED WITH I-BEAM SUPPORT, OMIT WELDED PLATE



DETAIL F  
SCALE 1 : 8



DO NOT SCALE DRAWING

APPROVAL STATUS:

- APPROVED
- APPROVED AS NOTED
- REVISE AND RESUBMIT

SIGNATURE

NAME	DATE
KSB	11-8-19

**PROPRIETARY AND CONFIDENTIAL**

THE INFORMATION CONTAINED IN THIS DRAWING IS THE SOLE PROPERTY OF PRECISION LIFT INDUSTRIES, LLC. ANY REPRODUCTION IN PART OR AS A WHOLE WITHOUT THE WRITTEN PERMISSION OF PRECISION LIFT INDUSTRIES, LLC IS PROHIBITED.

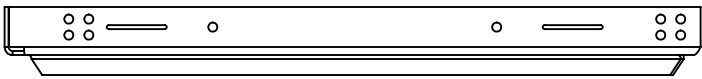
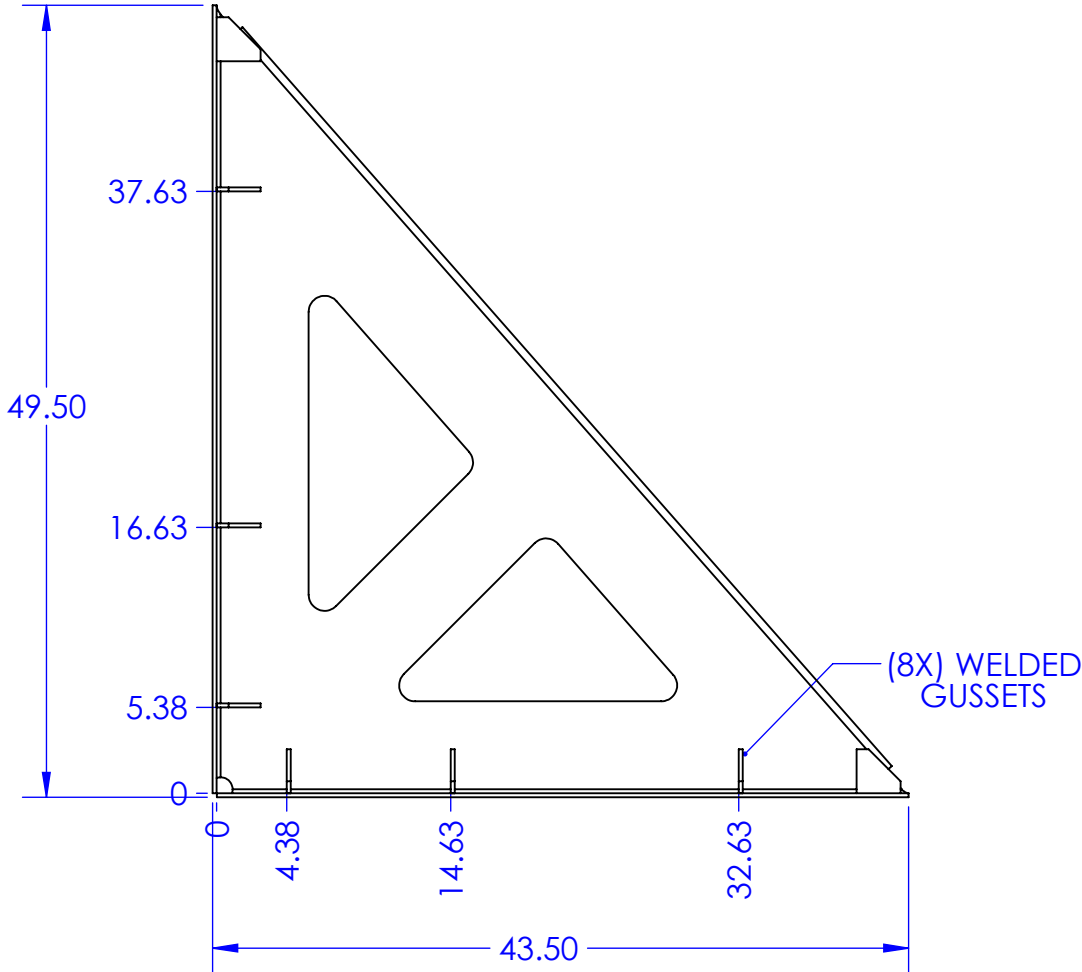
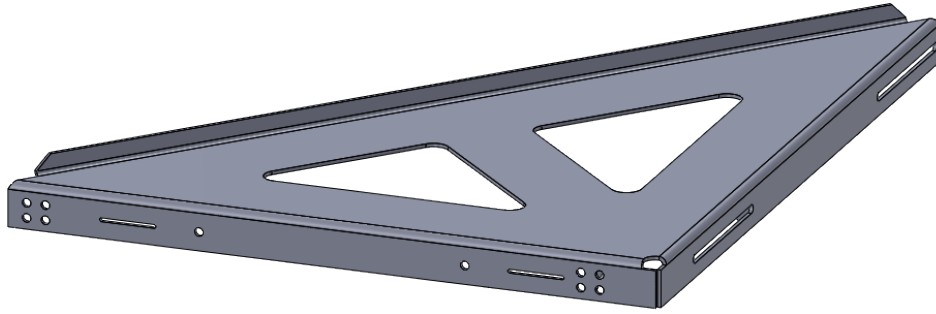
PROJECT NAME  
**Stand Off W/ I-Beam**

PROJECT LOCATION

COMMENTS:

SIZE	DWG. NO.	REV.
<b>A</b>		
SCALE 1:16		SHEET 2 OF 4





DO NOT SCALE DRAWING

APPROVAL STATUS:

APPROVED

APPROVED AS NOTED

REVISE AND RESUBMIT

SIGNATURE

DRAWN	NAME	DATE
KSB		11-8-19

**PROPRIETARY AND CONFIDENTIAL**

THE INFORMATION CONTAINED IN THIS DRAWING IS THE SOLE PROPERTY OF PRECISION LIFT INDUSTRIES, LLC. ANY REPRODUCTION IN PART OR AS A WHOLE WITHOUT THE WRITTEN PERMISSION OF PRECISION LIFT INDUSTRIES, LLC IS PROHIBITED.

PROJECT NAME  
**Triangle Support**

PROJECT LOCATION

COMMENTS:

SIZE	DWG. NO.	REV.
<b>A</b>		