

**General Specifications:**

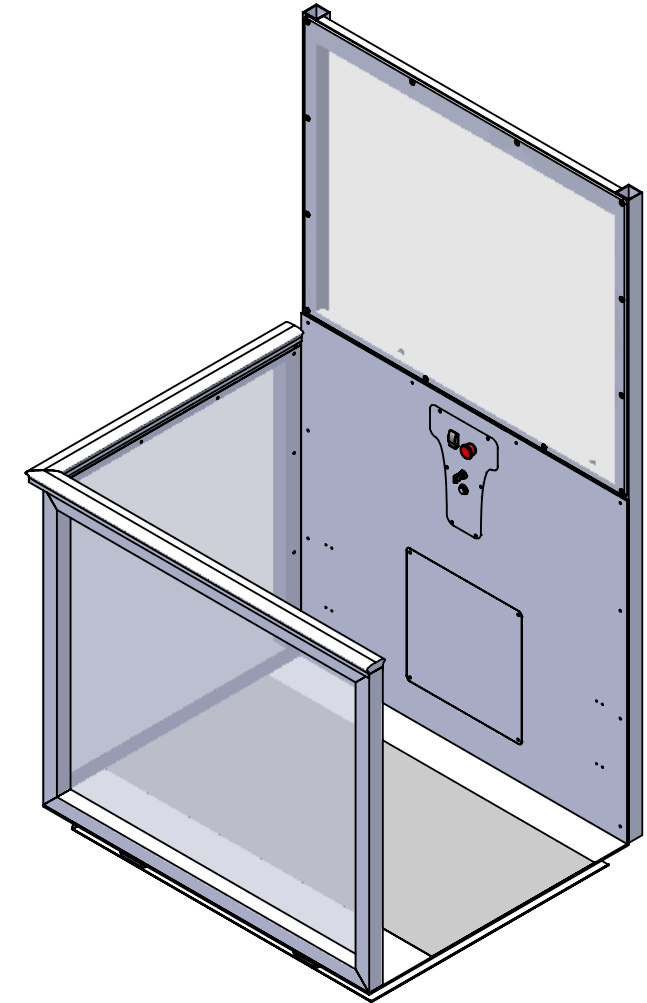
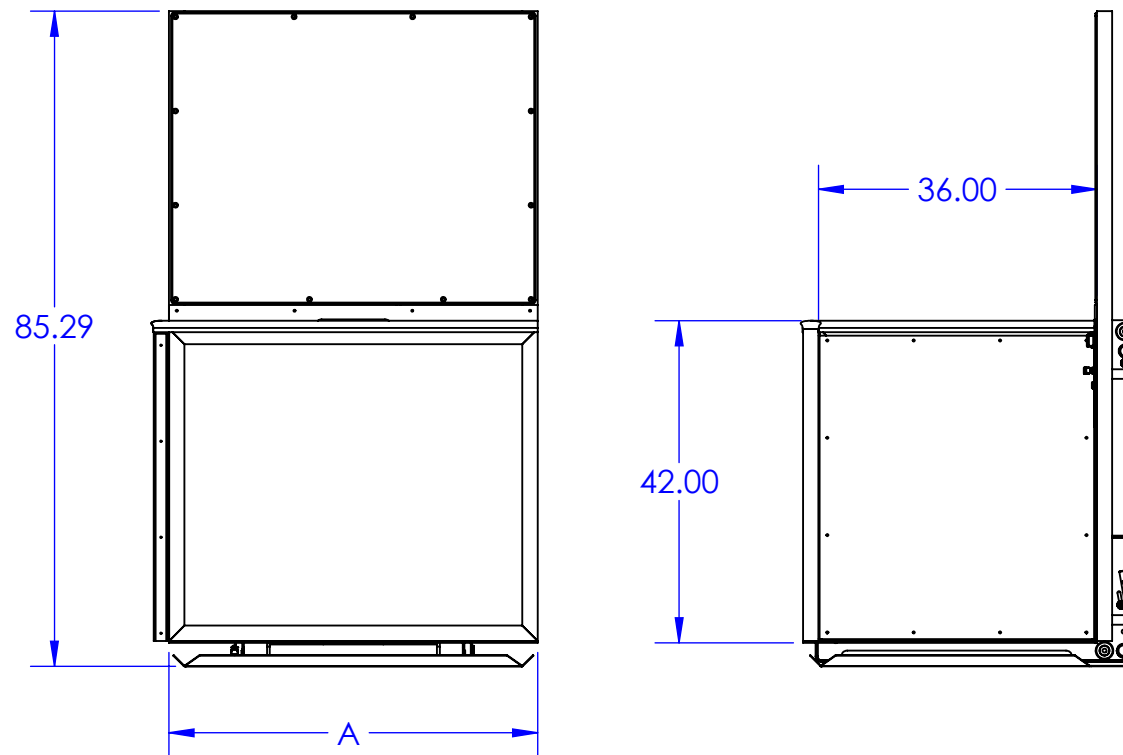
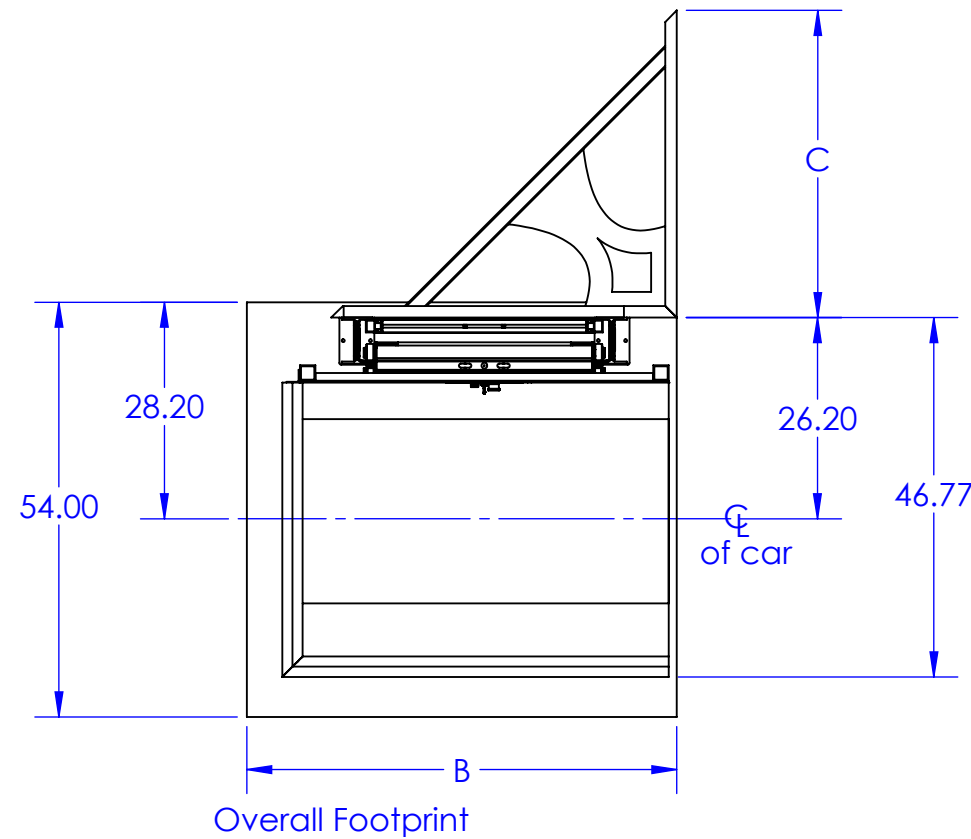
- Applicable Code: ASME A18.1
- 25 FPM travel speed, nominal
- Up to 3 landings
- Constant pressure operation
- Powder coated finish: White, Tan, Grey
- Aluminum tower and carriage
- Safety underpan
- Emergency stop and alarm on carriage
- On/off keyswitch on carriage

**Optional Features:**

- Auto Ramp
- Fixed Ramp
- Car Gates
- Battery lowering
- All aluminum, flush mount doors and gates
- Call/Send stations

Note: National Elevator Code ASME A18.1 restricts vertical platform lifts to 14' of travel. Units exceeding 14' of travel may require variances from state and/or local jurisdictions.

Car Size	Dimension "A"	Dimension "B"	Dimension "C"
36 X 48	48"	54"	40"
36 X 54	54"	60"	43"



"Enter/Exit" Same Side Car  
RH Shown, LH Available

Model Name	Gen 2-S
Description	42" High Car, Solid Lower Panels
Available Finishes	Mill Finish or Powder Coated White, Tan, or Grey.
Sizes	36" x 48" or 36" x 54"



**ODE VERTICAL PLATFORM LIFT  
MODEL: GEN 2-S**

DO NOT SCALE DRAWING	NAME	DATE	PROJECT NAME
	DRAWN	JCE	4/23/19
APPROVAL STATUS:	PROPRIETARY AND CONFIDENTIAL		PROJECT LOCATION
APPROVED	THE INFORMATION CONTAINED IN THIS DRAWING IS THE SOLE PROPERTY OF PRECISION LIFT INDUSTRIES, LLC. ANY REPRODUCTION IN PART OR AS A WHOLE WITHOUT THE WRITTEN PERMISSION OF PRECISION LIFT INDUSTRIES, LLC IS PROHIBITED.		COMMENTS:
APPROVED AS NOTED			SIZE DWG. NO.
REVISE AND RESUBMIT			REV.
SIGNATURE			SCALE 1:16
			SHEET 1 OF 10

**General Specifications:**

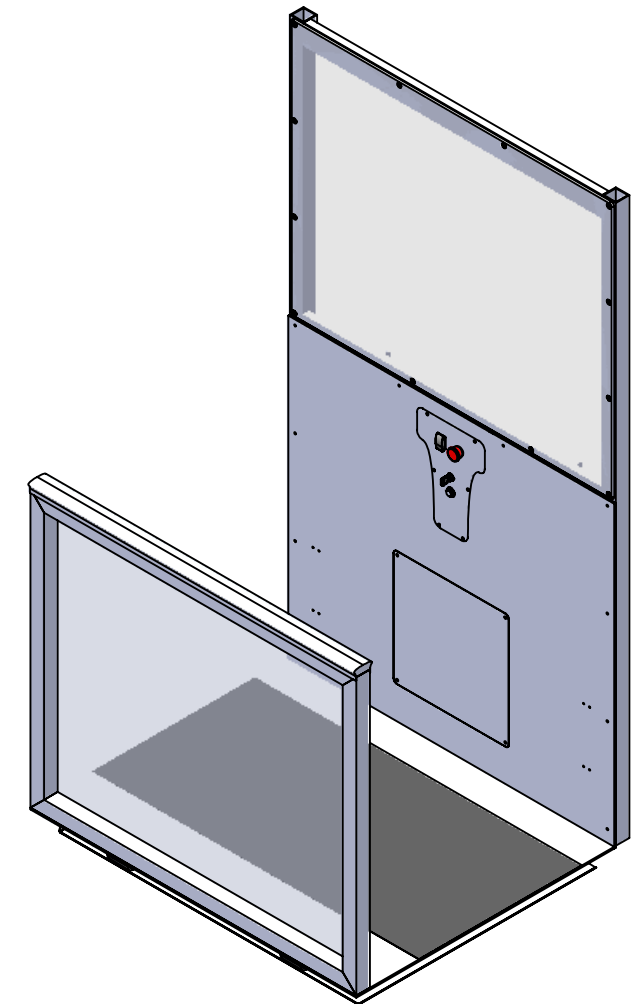
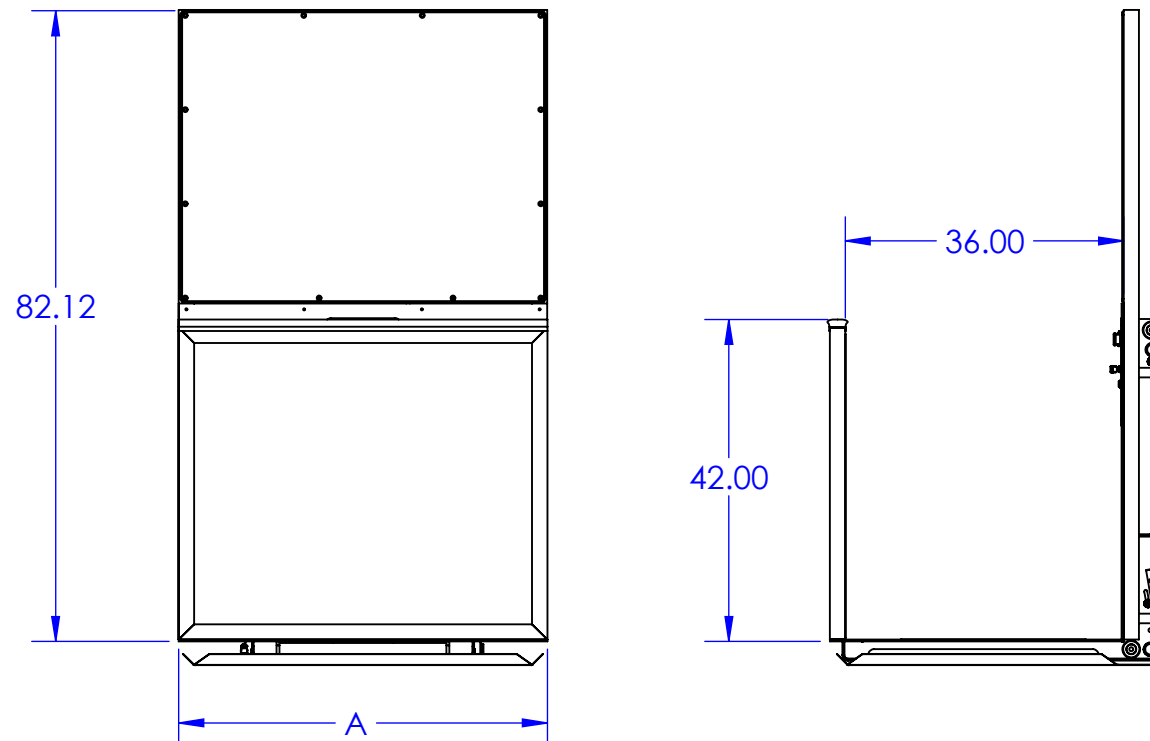
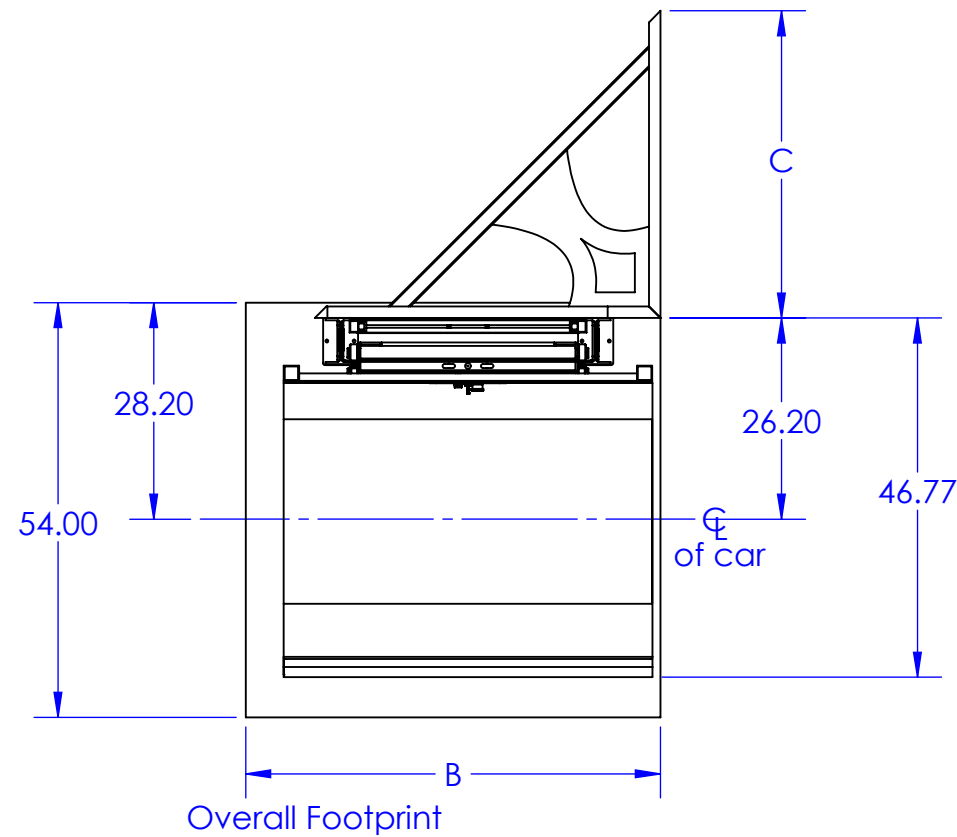
- Applicable Code: ASME A18.1
- 25 FPM travel speed, nominal
- Up to 3 landings
- Constant pressure operation
- Powder coated finish: White, Tan, Grey
- Aluminum tower and carriage
- Safety underpan
- Emergency stop and alarm on carriage
- On/off keyswitch on carriage

**Optional Features:**

- Auto Ramp
- Fixed Ramp
- Car Gates
- Battery lowering
- All aluminum, flush mount doors and gates
- Call/Send stations

Note: National Elevator Code ASME A18.1 restricts vertical platform lifts to 14' of travel. Units exceeding 14' of travel may require variances from state and/or local jurisdictions.

Car Size	Dimension "A"	Dimension "B"	Dimension "C"
36 X 48	48"	50"	40"
36 X 54	54"	56"	43"



"Pass Through Car"

Model Name	Gen 2-S
Description	42" High Car, Solid Lower Panels
Available Finishes	Mill Finish or Powder coated White, Tan or Grey.
Sizes	36" x 48" or 36" x 54"



**ODE VERTICAL PLATFORM LIFT  
MODEL: GEN 2-S**

DO NOT SCALE DRAWING		NAME	DATE	PROJECT NAME
APPROVAL STATUS:		DRAWN	JCE	4/23/19
APPROVED		PROPRIETARY AND CONFIDENTIAL		PROJECT LOCATION
APPROVED AS NOTED		THE INFORMATION CONTAINED IN THIS DRAWING IS THE SOLE PROPERTY OF PRECISION LIFT INDUSTRIES, LLC. ANY REPRODUCTION IN PART OR AS A WHOLE WITHOUT THE WRITTEN PERMISSION OF PRECISION LIFT INDUSTRIES, LLC IS PROHIBITED.		
REVISE AND RESUBMIT		COMMENTS:		
SIGNATURE		SCALE 1:16	DWG. NO.	REV.
				SHEET 2 OF 10

**General Specifications:**

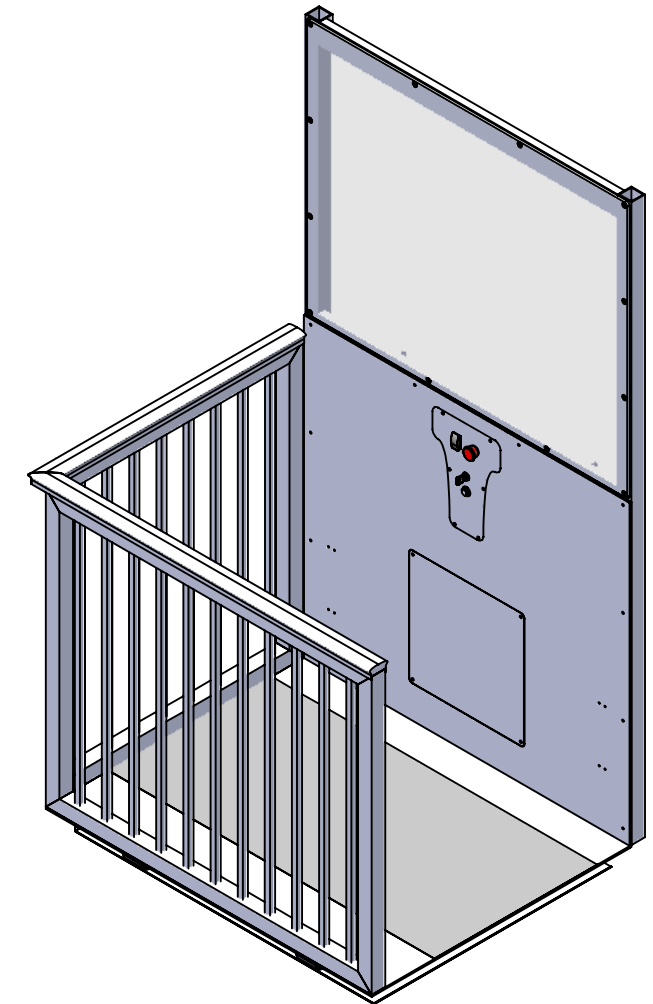
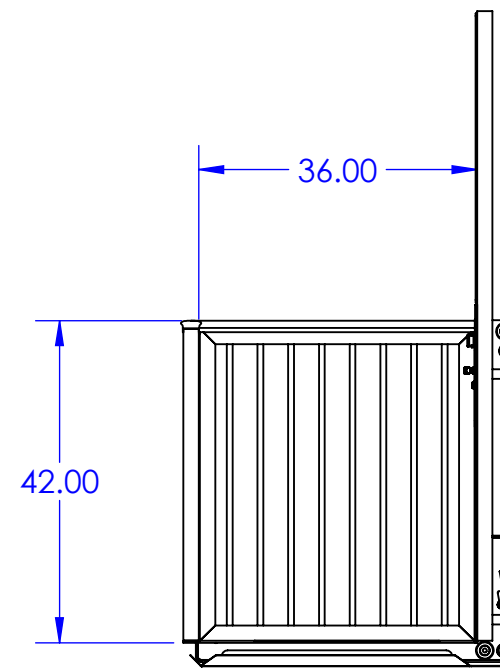
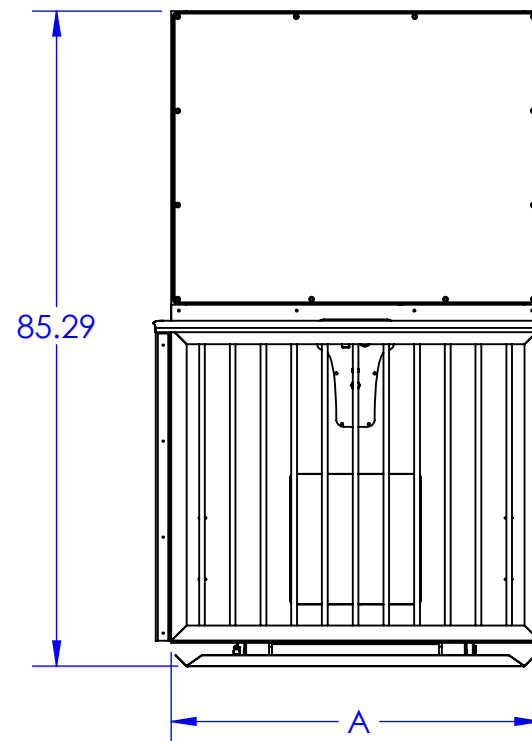
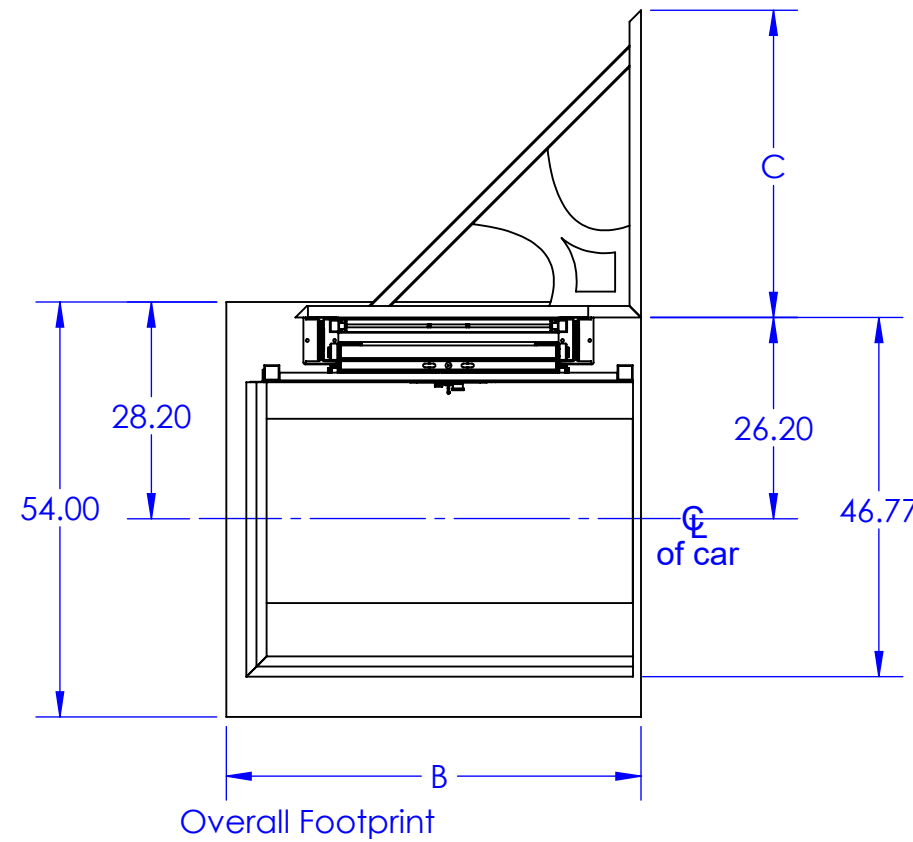
- Applicable Code: ASME A18.1
- 25 FPM travel speed, nominal
- Up to 3 landings
- Constant pressure operation
- Powder coated finish: White, Tan, Grey
- Aluminum tower and carriage
- Safety underpan
- Emergency stop and alarm on carriage
- On/off keyswitch on carriage

**Optional Features:**

- Auto Ramp
- Fixed Ramp
- Car Gates
- Battery lowering
- All aluminum, flush mount doors and gates
- Call/Send stations

**Note:** National Elevator Code ASME A18.1 restricts vertical platform lifts to 14' of travel. Units exceeding 14' of travel may require variances from state and/or local jurisdictions.

Car Size	Dimension "A"	Dimension "B"	Dimension "C"
36 X 48	48"	54"	40"
36 X 54	54"	60"	43"



"Enter/Exit" Same Side Car  
RH Shown, LH Available

Model Name	Gen 2-P
Description	42" High Car, Picket Lower Half
Available Finishes	Mill Finish or Powder coated White, Tan or Grey.
Sizes	36" x 48" or 36" x 54"



**ODE VERTICAL PLATFORM LIFT  
MODEL: GEN 2-P**

DO NOT SCALE DRAWING	NAME	DATE	PROJECT NAME
	JCE	4/23/19	
APPROVAL STATUS:	PROPRIETARY AND CONFIDENTIAL		PROJECT LOCATION
APPROVED	THE INFORMATION CONTAINED IN THIS DRAWING IS THE SOLE PROPERTY OF PRECISION LIFT INDUSTRIES, LLC. ANY REPRODUCTION IN PART OR AS A WHOLE WITHOUT THE WRITTEN PERMISSION OF PRECISION LIFT INDUSTRIES, LLC IS PROHIBITED.		COMMENTS:
APPROVED AS NOTED			SIZE DWG. NO. REV.
REVISE AND RESUBMIT			A
SIGNATURE			SCALE 1:16 SHEET 3 OF 10

**General Specifications:**

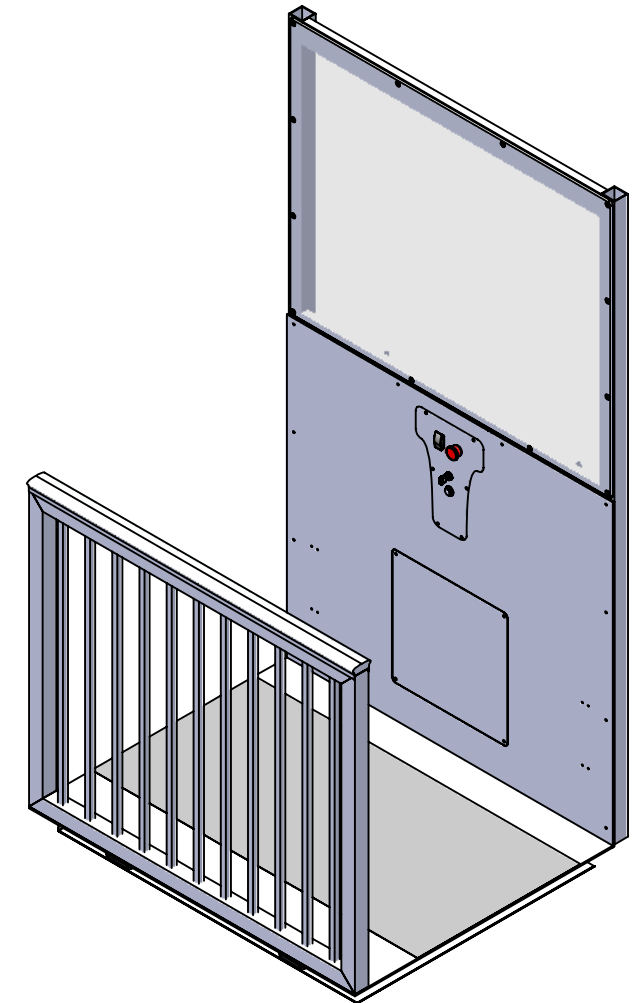
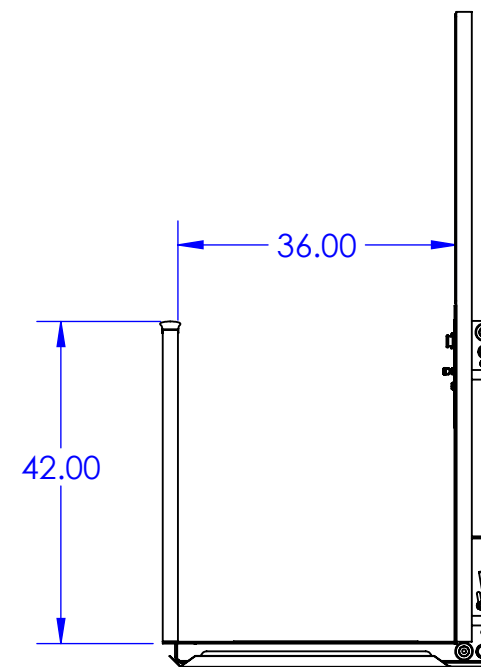
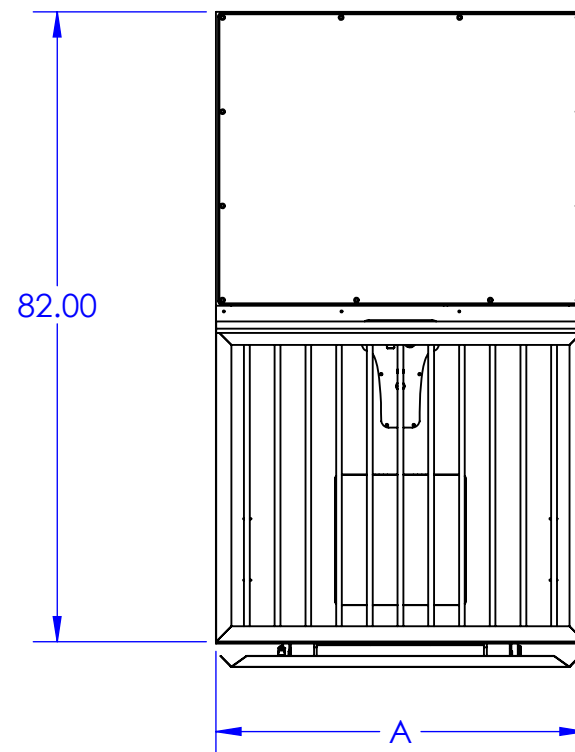
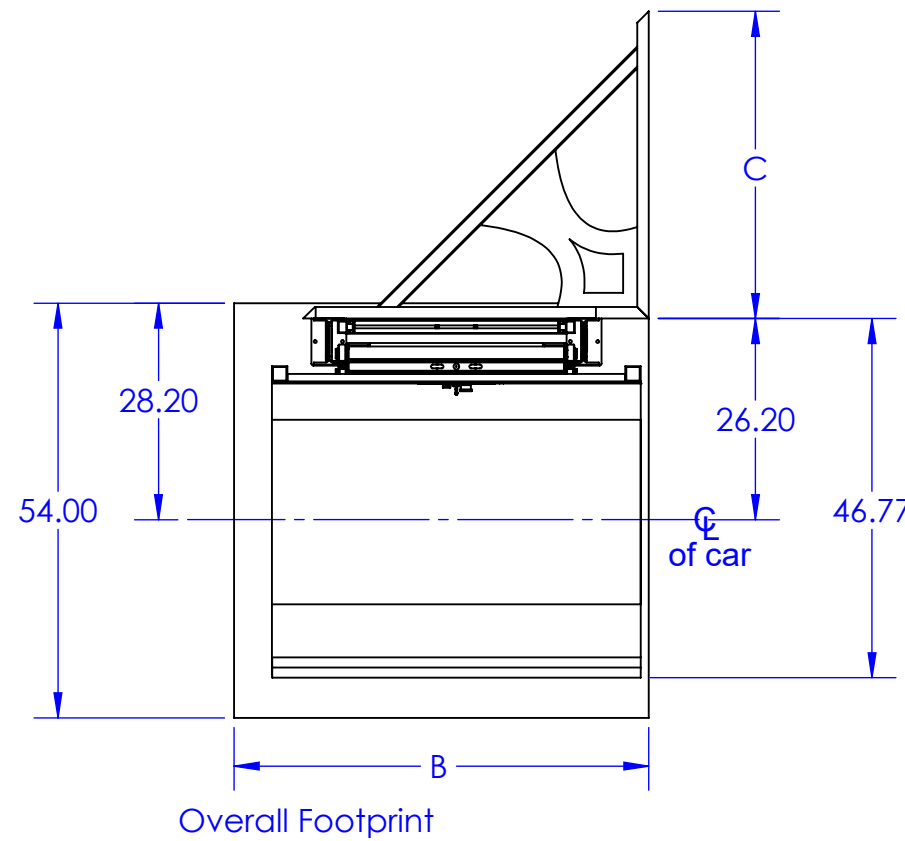
- Applicable Code: ASME A18.1
- 25 FPM travel speed, nominal
- Up to 3 landings
- Constant pressure operation
- Powder coated finish: White, Tan, Grey
- Aluminum tower and carriage
- Safety underpan
- Emergency stop and alarm on carriage
- On/off keyswitch on carriage

**Optional Features:**

- Auto Ramp
- Fixed Ramp
- Car Gates
- Battery lowering
- All aluminum, flush mount doors and gates
- Call/Send stations

**Note:** National Elevator Code ASME A18.1 restricts vertical platform lifts to 14' of travel. Units exceeding 14' of travel may require variances from state and/or local jurisdictions.

Car Size	Dimension "A"	Dimension "B"	Dimension "C"
36 X 48	48"	50"	40"
36 X 54	54"	56"	43"



Model Name	Gen 2-P
Description	42" High Car, Picket Lower Half
Available Finish	Mill Finish or Powder coated White, Tan or Grey.
Sizes	36" x 48" or 36" x 54"



**ODE VERTICAL PLATFORM LIFT  
MODEL: GEN 2-P**

DO NOT SCALE DRAWING	NAME	DATE	PROJECT NAME
	DRAWN	JCE	4/23/19
APPROVAL STATUS:	PROPRIETARY AND CONFIDENTIAL		PROJECT LOCATION
APPROVED	THE INFORMATION CONTAINED IN THIS DRAWING IS THE SOLE PROPERTY OF PRECISION LIFT INDUSTRIES, LLC. ANY REPRODUCTION IN PART OR AS A WHOLE WITHOUT THE WRITTEN PERMISSION OF PRECISION LIFT INDUSTRIES, LLC IS PROHIBITED.		COMMENTS:
APPROVED AS NOTED			SIZE DWG. NO.
REVISE AND RESUBMIT			REV.
SIGNATURE			SCALE 1:16
			SHEET 4 OF 10

**General Specifications:**

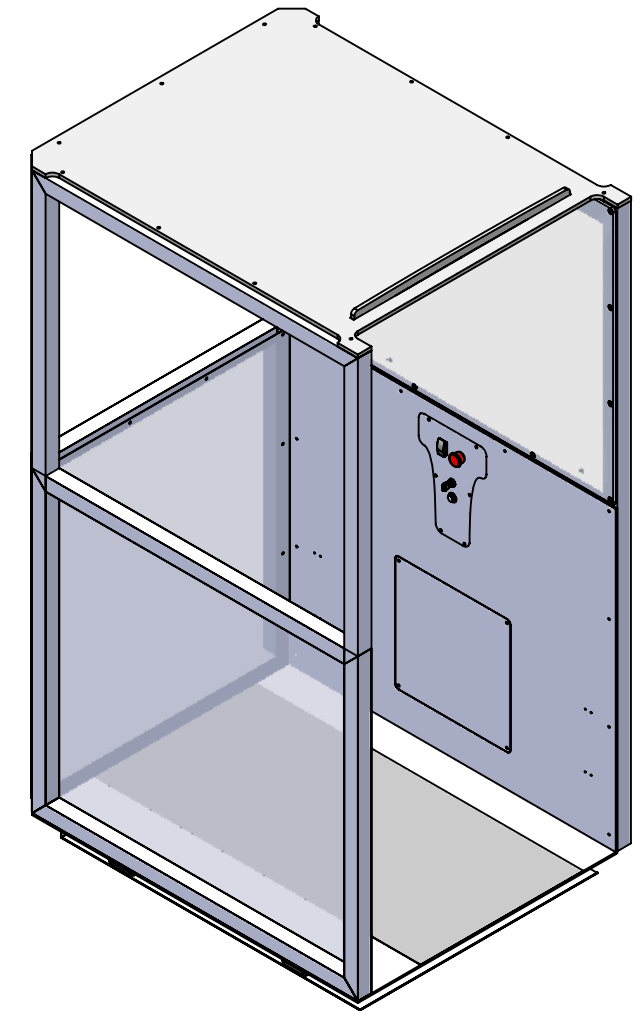
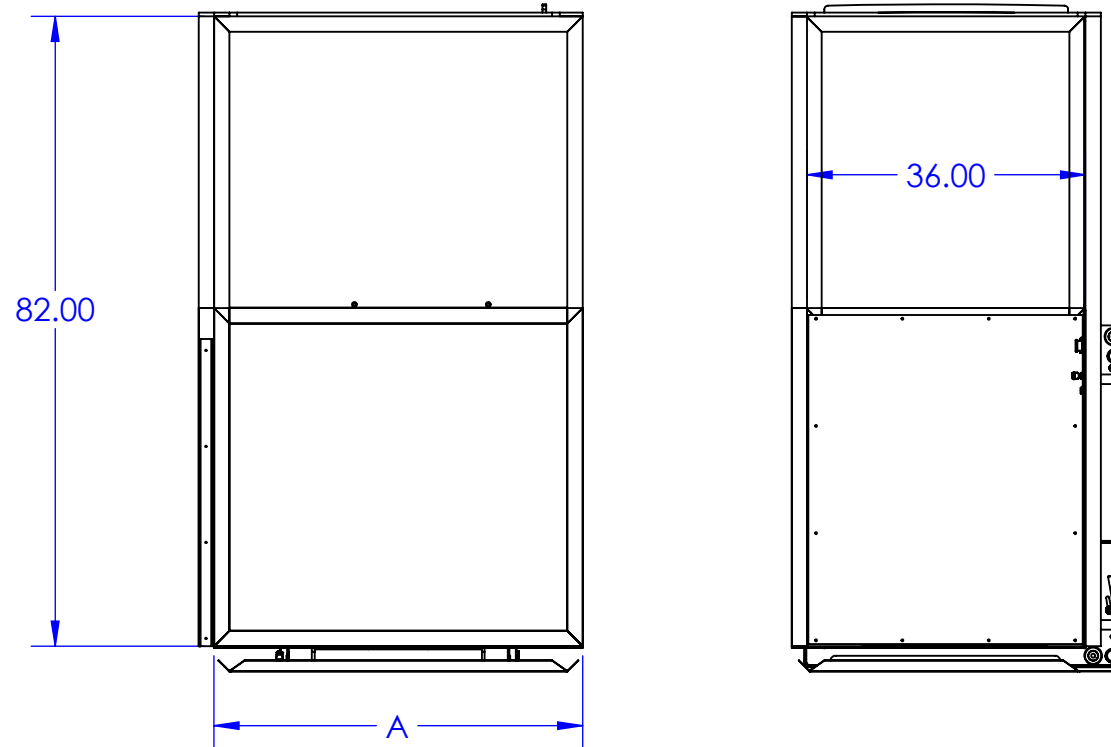
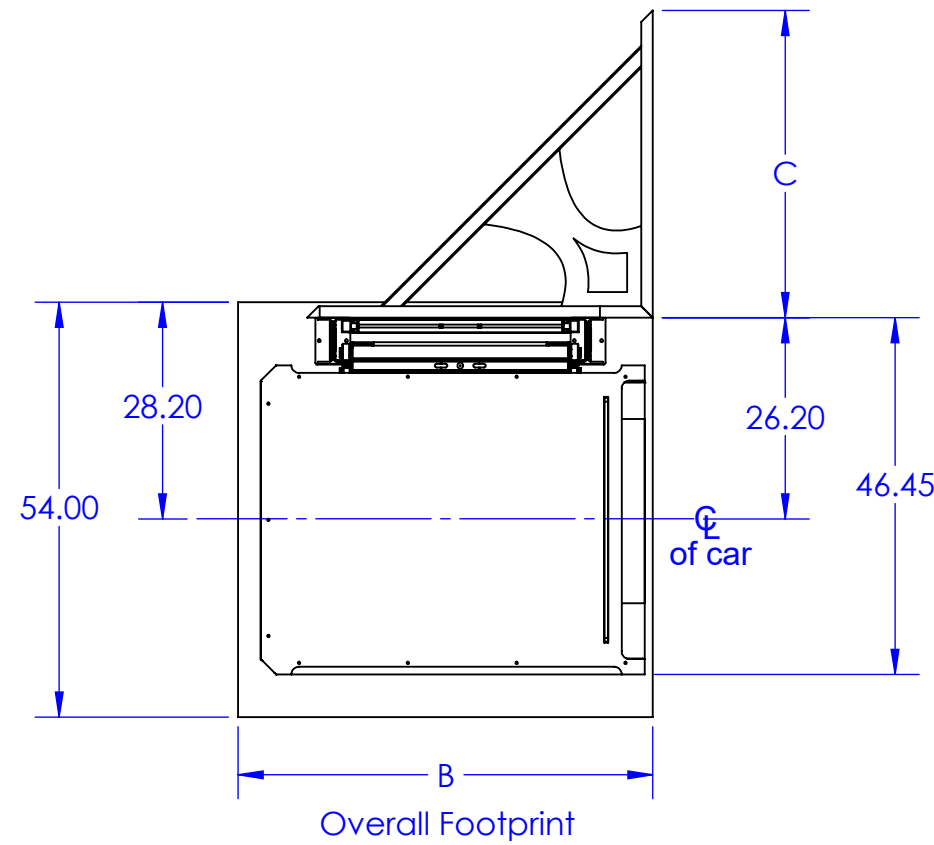
- Applicable Code: ASME A18.1
- 25 FPM travel speed, nominal
- Up to 3 landings
- Constant pressure operation
- Powder coated finish: White, Tan, Grey
- Aluminum tower and carriage
- Safety underpan
- Emergency stop and alarm on carriage
- On/off keyswitch on carriage

**Optional Features:**

- Auto Ramp
- Fixed Ramp
- Car Gates
- Battery lowering
- All aluminum, flush mount doors and gates
- Call/Send stations

**Note:** National Elevator Code ASME A18.1 restricts vertical platform lifts to 14' of travel. Units exceeding 14' of travel may require variances from state and/or local jurisdictions.

Car Size	Dimension "A"	Dimension "B"	Dimension "C"
36 X 48	48"	54"	40"
36 X 54	54"	60"	43"



"Enter/Exit" Same Side Car  
RH Shown, LH Available

Model Name	Gen 2-STO
Description	80" High Car, Solid Lower Panels, Starboard Top, Open Top Half.
Available Finishes	Mill Finish or Powder coated White, Tan or Grey.
Sizes	36" x 48" or 36" x 54"



**ODE VERTICAL PLATFORM LIFT  
MODEL: GEN 2-STO**

DO NOT SCALE DRAWING	NAME	DATE	PROJECT NAME
	DRAWN	JCE	4/23/19
APPROVAL STATUS:	PROPRIETARY AND CONFIDENTIAL		PROJECT LOCATION
APPROVED	THE INFORMATION CONTAINED IN THIS DRAWING IS THE SOLE PROPERTY OF PRECISION LIFT INDUSTRIES, LLC. ANY REPRODUCTION IN PART OR AS A WHOLE WITHOUT THE WRITTEN PERMISSION OF PRECISION LIFT INDUSTRIES, LLC IS PROHIBITED.		COMMENTS:
APPROVED AS NOTED	SCALE 1:16		SIZE DWG. NO. REV.
REVISE AND RESUBMIT	SHEET 5 OF 10		
SIGNATURE			



**General Specifications:**

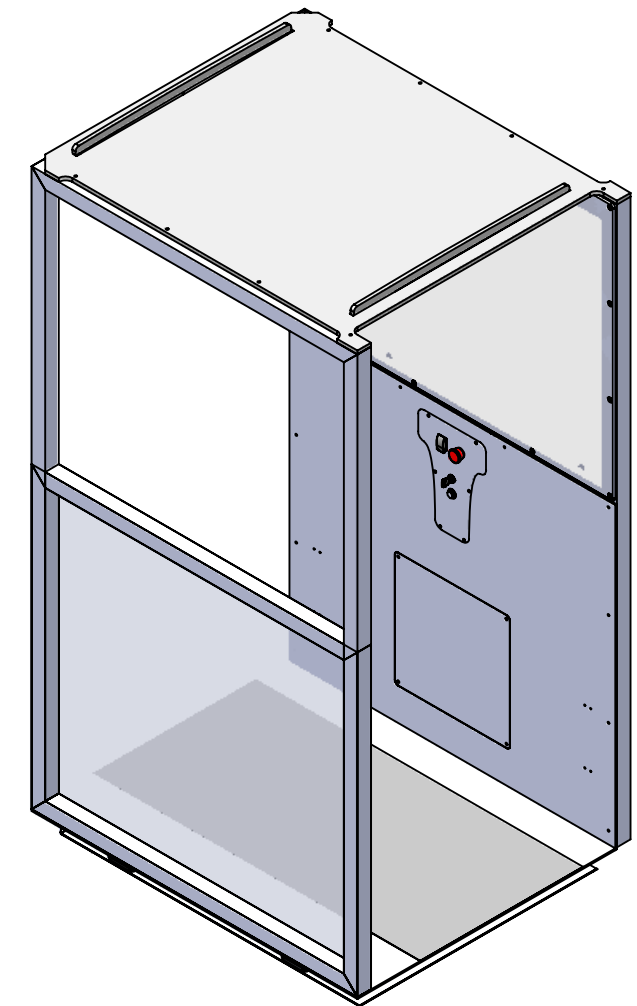
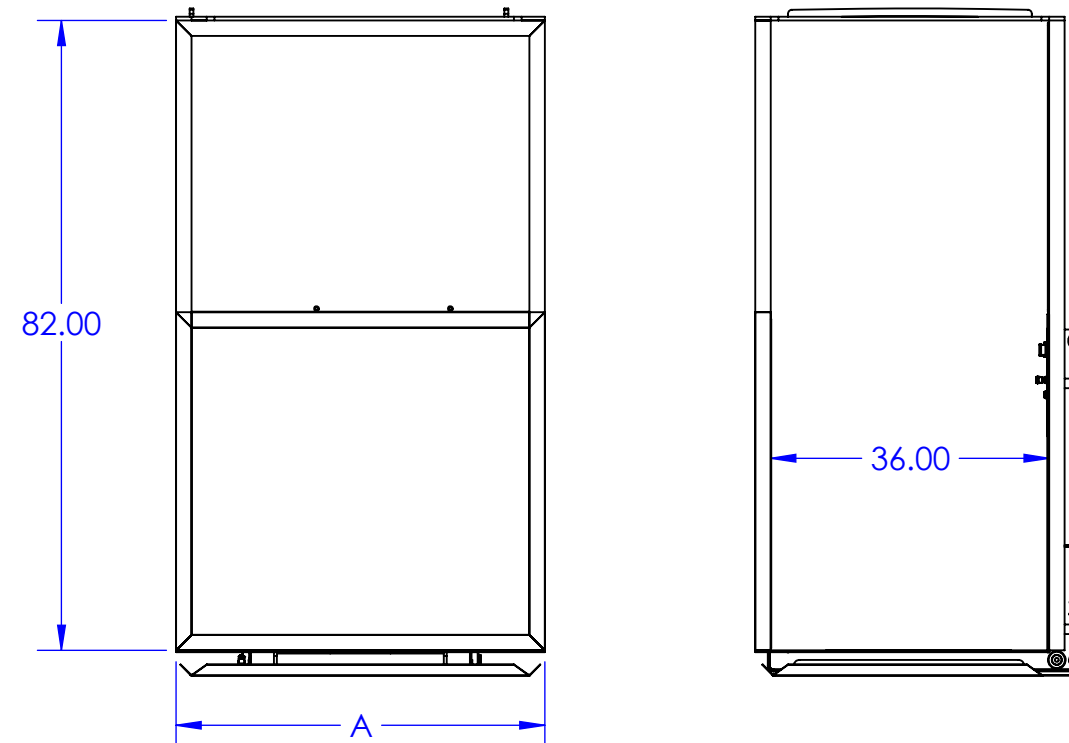
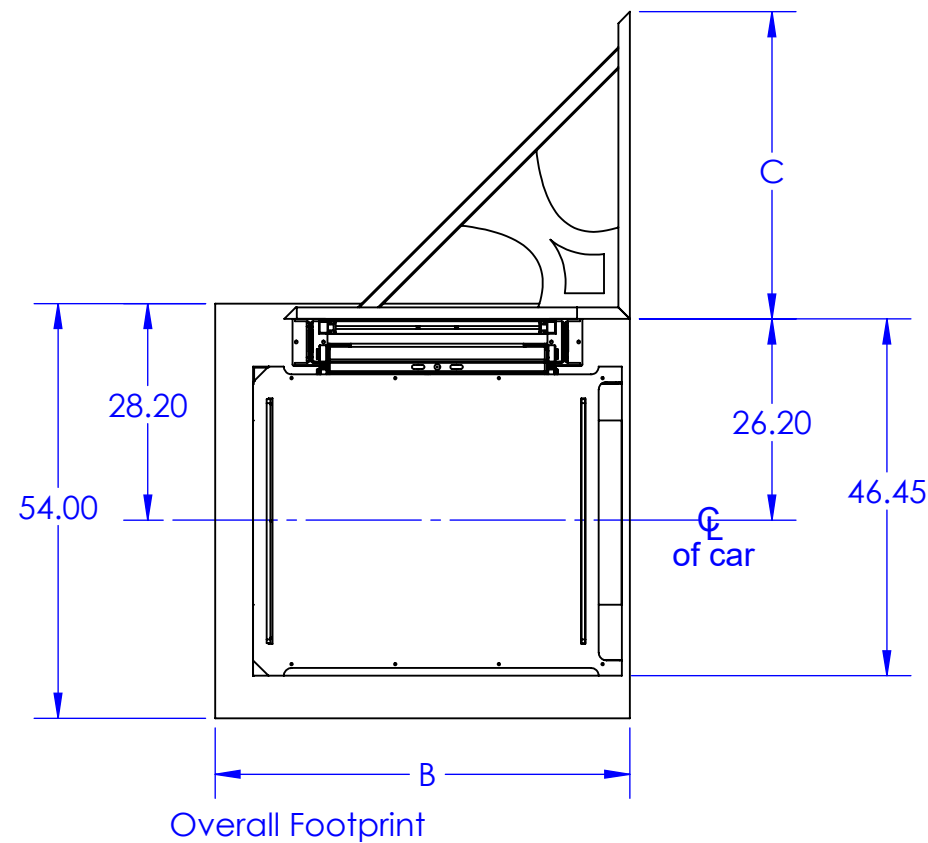
- Applicable Code: ASME A18.1
- 25 FPM travel speed, nominal
- Up to 3 landings
- Constant pressure operation
- Powder coated finish: White, Tan, Grey
- Aluminum tower and carriage
- Safety underpan
- Emergency stop and alarm on carriage
- On/off keyswitch on carriage

**Optional Features:**

- Auto Ramp
- Fixed Ramp
- Car Gates
- Battery lowering
- All aluminum, flush mount doors and gates
- Call/Send stations

**Note:** National Elevator Code ASME A18.1 restricts vertical platform lifts to 14' of travel. Units exceeding 14' of travel may require variances from state and/or local jurisdictions.

Car Size	Dimension "A"	Dimension "B"	Dimension "C"
36 X 48	48"	50"	40"
36 X 54	54"	56"	43"



Model Name	Gen 2-STO
Description	80" High Car, Solid Lower Panels, Starboard Top, Open Top Half
Available Finishes	Mill Finish or Powder coated White, Tan or Grey.
Sizes	36" x 48" or 36" x 54"



**ODE VERTICAL PLATFORM LIFT  
MODEL: GEN 2-STO**

DO NOT SCALE DRAWING	NAME	DATE	PROJECT NAME
	JCE	4/23/19	
APPROVAL STATUS:	PROPRIETARY AND CONFIDENTIAL		PROJECT LOCATION
APPROVED	THE INFORMATION CONTAINED IN THIS DRAWING IS THE SOLE PROPERTY OF PRECISION LIFT INDUSTRIES, LLC. ANY REPRODUCTION IN PART OR AS A WHOLE WITHOUT THE WRITTEN PERMISSION OF PRECISION LIFT INDUSTRIES, LLC IS PROHIBITED.		COMMENTS:
APPROVED AS NOTED			SIZE DWG. NO. REV.
REVISE AND RESUBMIT			A
SIGNATURE			SCALE 1:16 SHEET 6 OF 10

**General Specifications:**

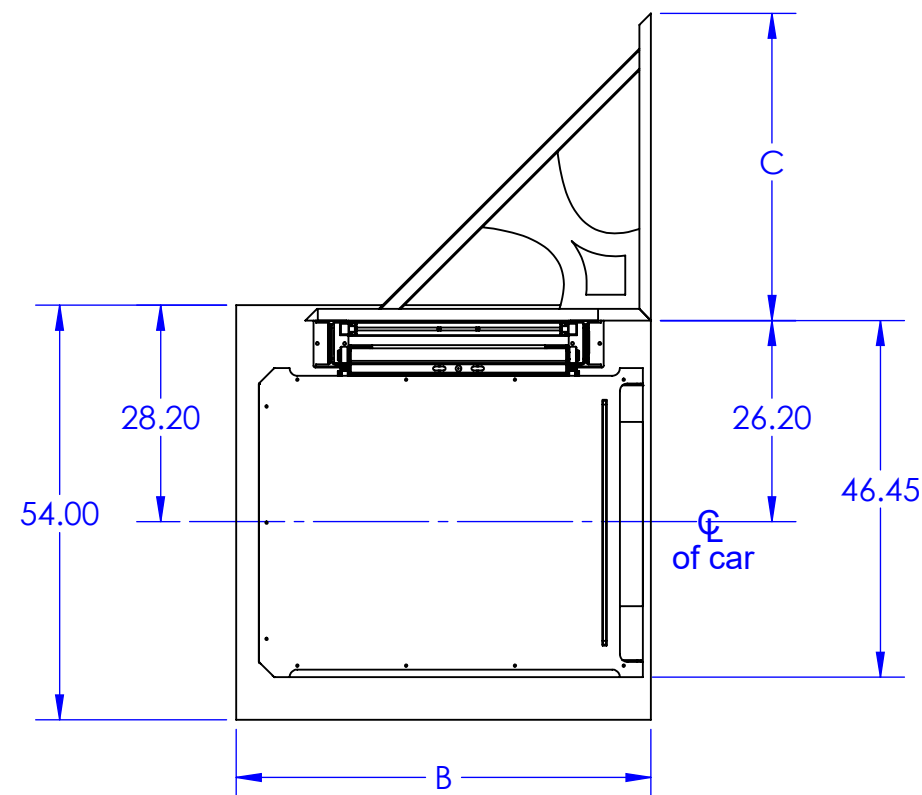
- Applicable Code: ASME A18.1
- 25 FPM travel speed, nominal
- Up to 3 landings
- Constant pressure operation
- Powder coated finish: White, Tan, Grey
- Aluminum tower and carriage
- Safety underpan
- Emergency stop and alarm on carriage
- On/off keyswitch on carriage

**Optional Features:**

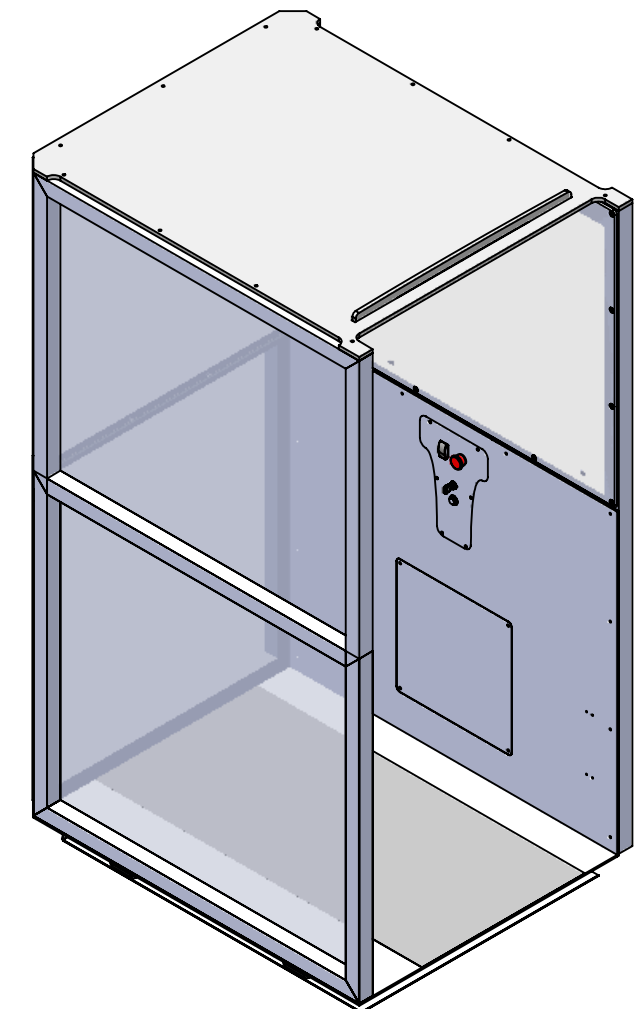
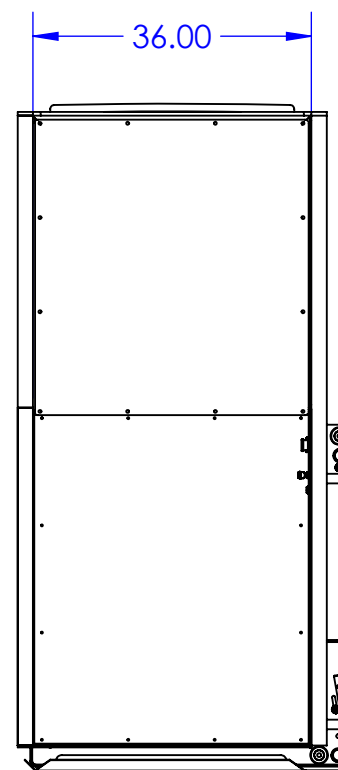
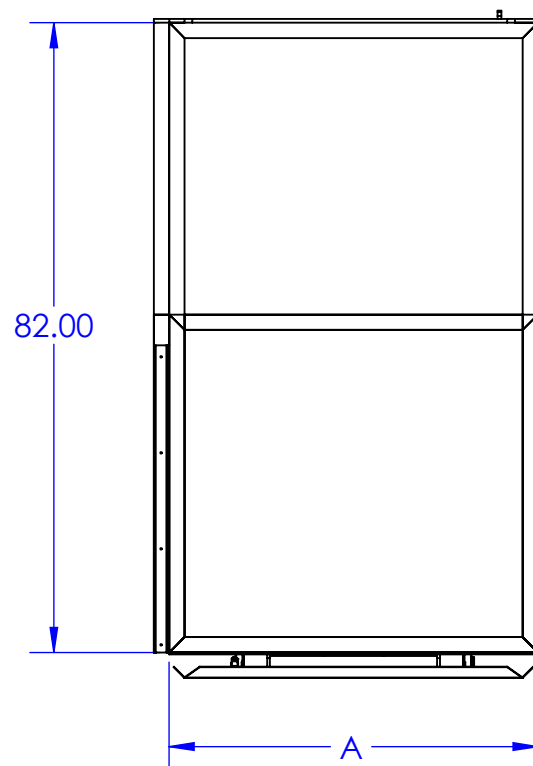
- Auto Ramp
- Fixed Ramp
- Car Gates
- Battery lowering
- All aluminum, flush mount doors and gates
- Call/Send stations

Note: National Elevator Code ASME A18.1 restricts vertical platform lifts to 14' of travel. Units exceeding 14' of travel may require variances from state and/or local jurisdictions.

Car Size	Dimension "A"	Dimension "B"	Dimension "C"
36 X 48	48"	54"	40"
36 X 54	54"	60"	43"



Overall Footprint



"Enter/Exit" Same Side Car  
RH Shown, LH Available

Model Name	Gen 2-SE
Description	80" High Car, Solid Lower Panels, Starboard Top, Plexiglass Top Half
Available Finishes	Mill Finish or Powder coated White, Tan or Grey. Clear or tinted Plexiglass
Sizes	36" x 48" or 36" x 54"



**ODE VERTICAL PLATFORM LIFT  
MODEL: GEN 2-SE**

DO NOT SCALE DRAWING	NAME	DATE	PROJECT NAME
	JCE	4/23/19	
APPROVAL STATUS:	PROPRIETARY AND CONFIDENTIAL		PROJECT LOCATION
APPROVED	THE INFORMATION CONTAINED IN THIS DRAWING IS THE SOLE PROPERTY OF PRECISION LIFT INDUSTRIES, LLC. ANY REPRODUCTION IN PART OR AS A WHOLE WITHOUT THE WRITTEN PERMISSION OF PRECISION LIFT INDUSTRIES, LLC IS PROHIBITED.		COMMENTS:
APPROVED AS NOTED			SIZE DWG. NO.
REVISE AND RESUBMIT			REV.
SIGNATURE			SCALE 1:16
			SHEET 7 OF 10

**General Specifications:**

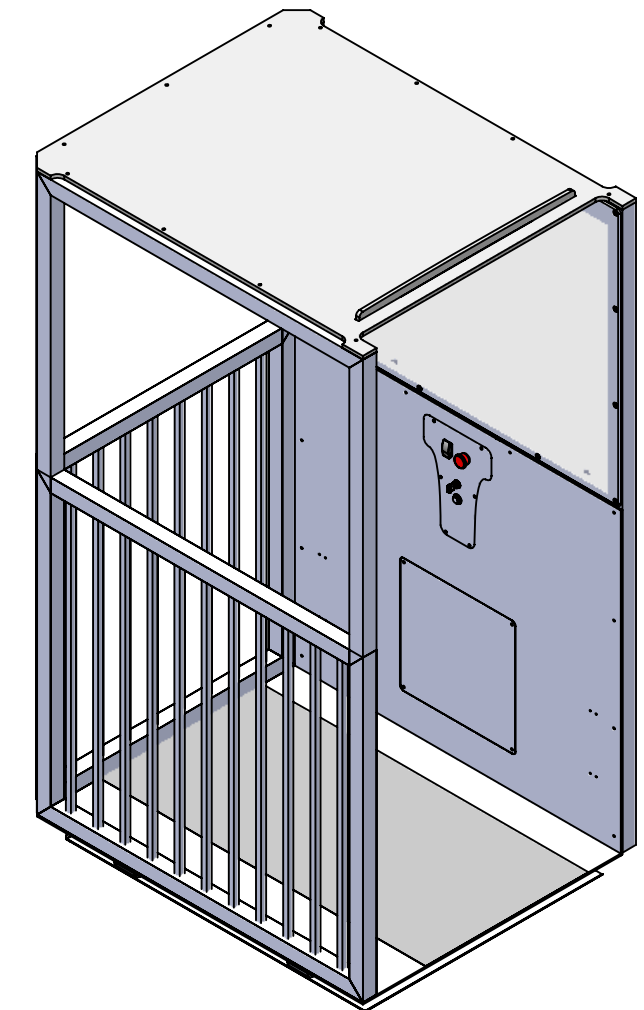
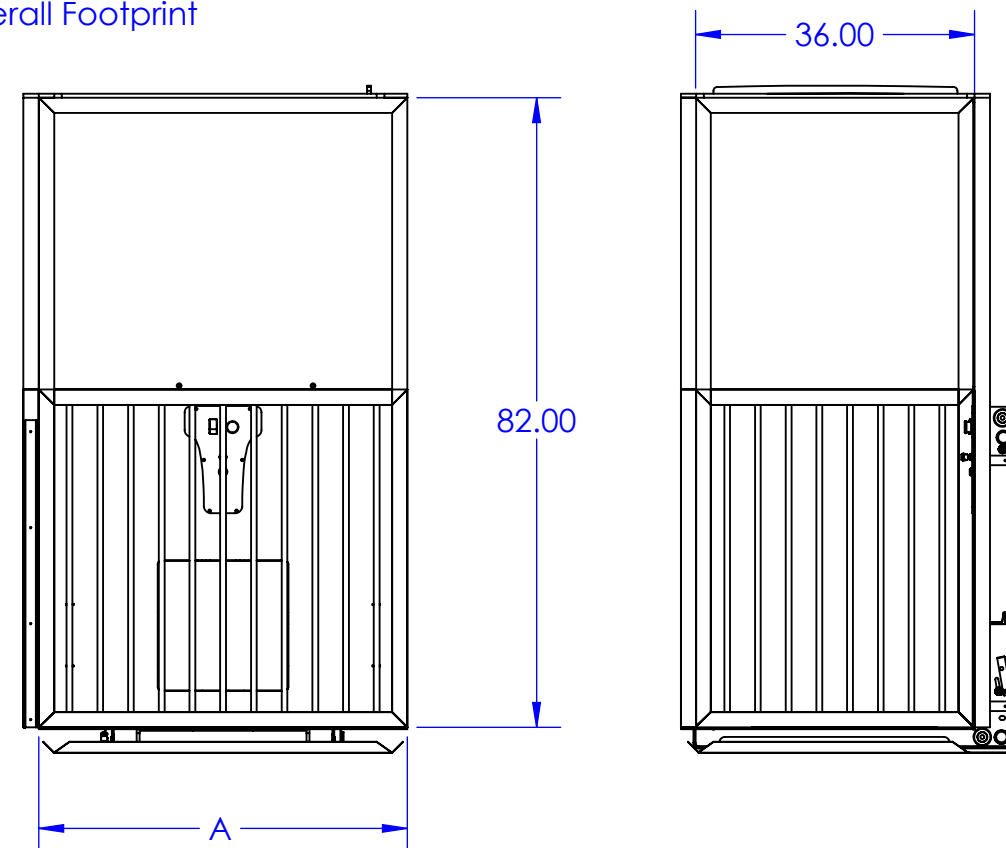
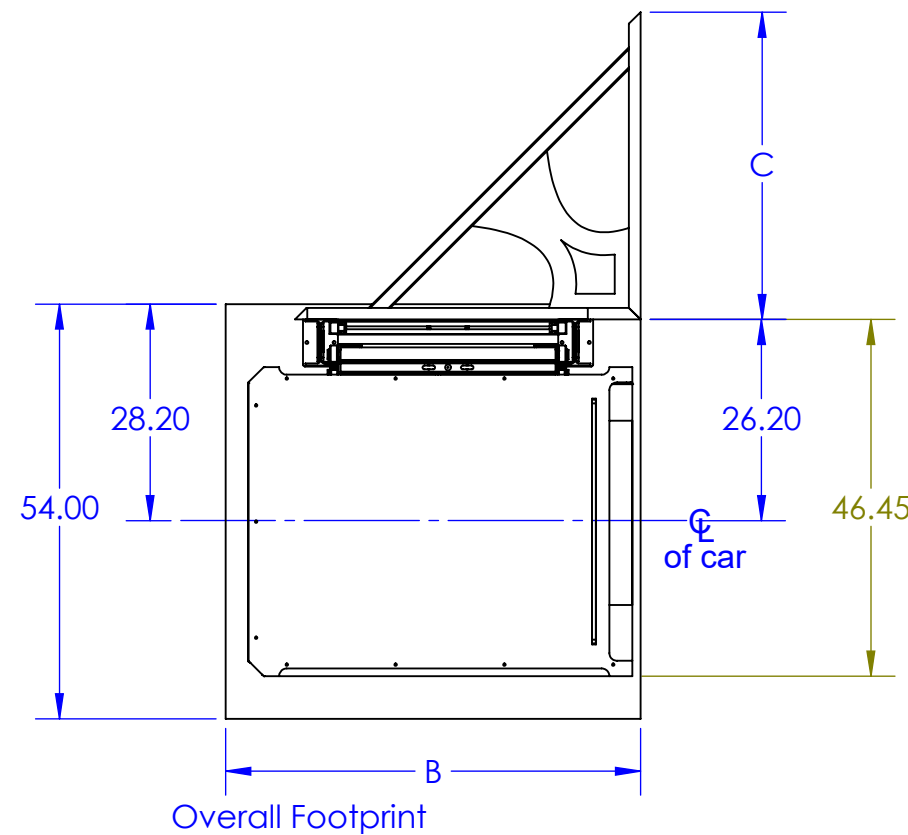
- Applicable Code: ASME A18.1
- 25 FPM travel speed, nominal
- Up to 3 landings
- Constant pressure operation
- Powder coated finish: White, Tan, Grey
- Aluminum tower and carriage
- Safety underpan
- Emergency stop and alarm on carriage
- On/off keyswitch on carriage

**Optional Features:**

- Auto Ramp
- Fixed Ramp
- Car Gates
- Battery lowering
- All aluminum, flush mount doors and gates
- Call/Send stations

Note: National Elevator Code ASME A18.1 restricts vertical platform lifts to 14' of travel. Units exceeding 14' of travel may require variances from state and/or local jurisdictions.

Car Size	Dimension "A"	Dimension "B"	Dimension "C"
36" X 48"	48"	54"	40"
36" X 54"	54"	60"	43"



"Enter/Exit" Same Side Car  
RH Shown, LH Available

Model Name	Gen 2-PTO
Description	80" High Car, Picket Lower Half, Starboard Top, Open Top Half
Available Finishes	Mill Finish or Powder coated White, Tan or Grey.
Sizes	36" x 48" or 36" x 54"



**ODE VERTICAL PLATFORM LIFT  
MODEL: GEN 2-PTO**

DO NOT SCALE DRAWING	NAME	DATE	PROJECT NAME
	DRAWN	JCE	4/23/19
APPROVAL STATUS:	PROPRIETARY AND CONFIDENTIAL		PROJECT LOCATION
APPROVED	THE INFORMATION CONTAINED IN THIS DRAWING IS THE SOLE PROPERTY OF PRECISION LIFT INDUSTRIES, LLC. ANY REPRODUCTION IN PART OR AS A WHOLE WITHOUT THE WRITTEN PERMISSION OF PRECISION LIFT INDUSTRIES, LLC IS PROHIBITED.		COMMENTS:
APPROVED AS NOTED	SIZE	DWG. NO.	REV.
REVISE AND RESUBMIT	A		
SIGNATURE	SCALE 1:16		SHEET 8 OF 10



**General Specifications:**

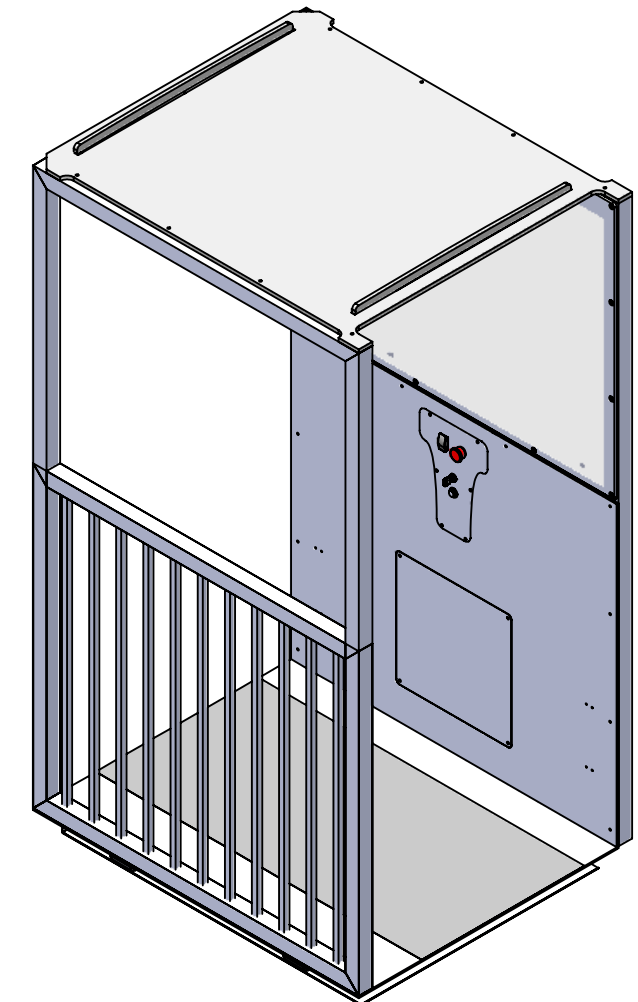
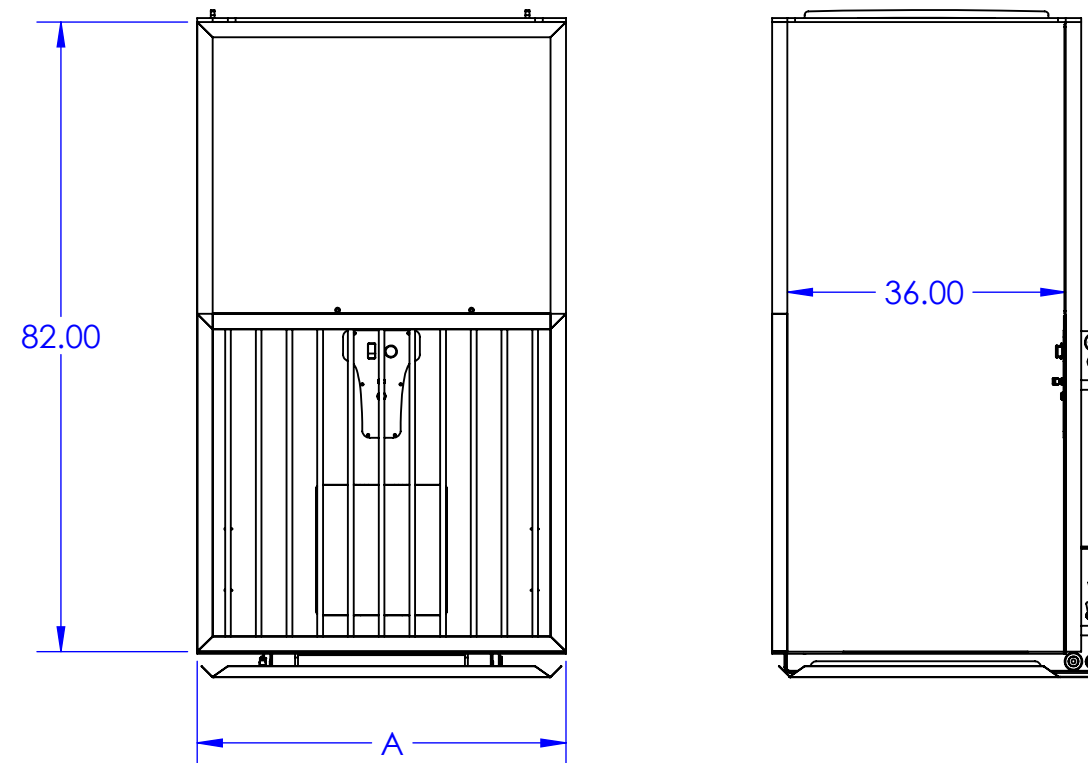
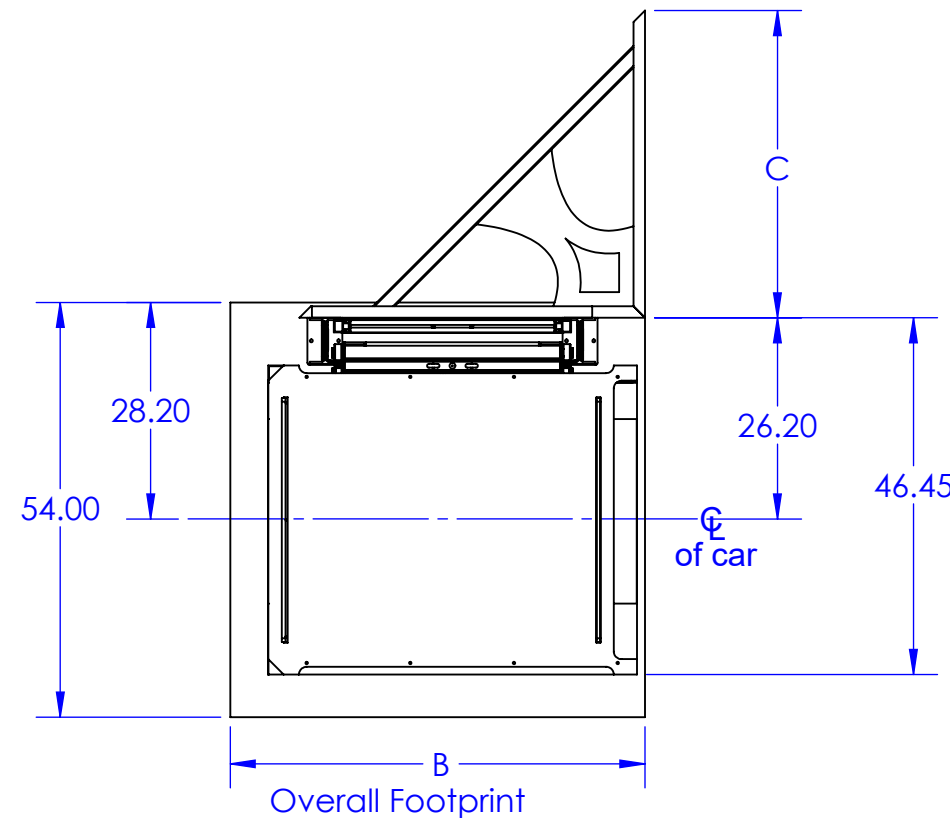
- Applicable Code: ASME A18.1
- 25 FPM travel speed, nominal
- Up to 3 landings
- Constant pressure operation
- Powder coated finish: White, Tan, Grey
- Aluminum tower and carriage
- Safety underpan
- Emergency stop and alarm on carriage
- On/off keyswitch on carriage

**Optional Features:**

- Auto Ramp
- Fixed Ramp
- Car Gates
- Battery lowering
- All aluminum, flush mount doors and gates
- Call/Send stations

Note: National Elevator Code ASME A18.1 restricts vertical platform lifts to 14' of travel. Units exceeding 14' of travel may require variances from state and/or local jurisdictions.

Car Size	Dimension "A"	Dimension "B"	Dimension "C"
36" X 48"	48"	50"	40"
36" X 54"	54"	56"	43"



Model Name	Gen 2-PTO
Description	80" High Car, Picket Lower Half, Starboard Top, Open Top Half
Available Finishes	Mill Finish or Powder coated White, Tan or Grey.
Sizes	36" x 48" or 36" x 54"



**ODE VERTICAL PLATFORM LIFT  
MODEL: GEN 2-PTO**

DO NOT SCALE DRAWING	NAME	DATE	PROJECT NAME
	DRAWN	JCE	4/23/19
APPROVAL STATUS:	PROPRIETARY AND CONFIDENTIAL		PROJECT LOCATION
APPROVED	THE INFORMATION CONTAINED IN THIS DRAWING IS THE SOLE PROPERTY OF PRECISION LIFT INDUSTRIES, LLC. ANY REPRODUCTION IN PART OR AS A WHOLE WITHOUT THE WRITTEN PERMISSION OF PRECISION LIFT INDUSTRIES, LLC IS PROHIBITED.		COMMENTS:
APPROVED AS NOTED			SIZE DWG. NO.
REVISE AND RESUBMIT			REV.
SIGNATURE			SCALE 1:16
			SHEET 9 OF 10

**General Specifications:**

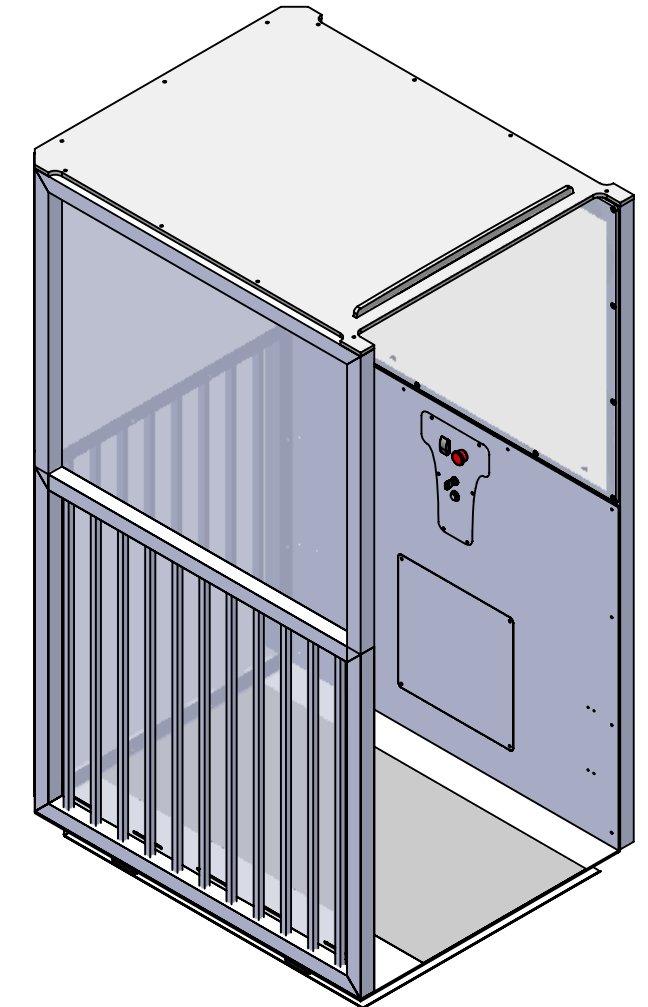
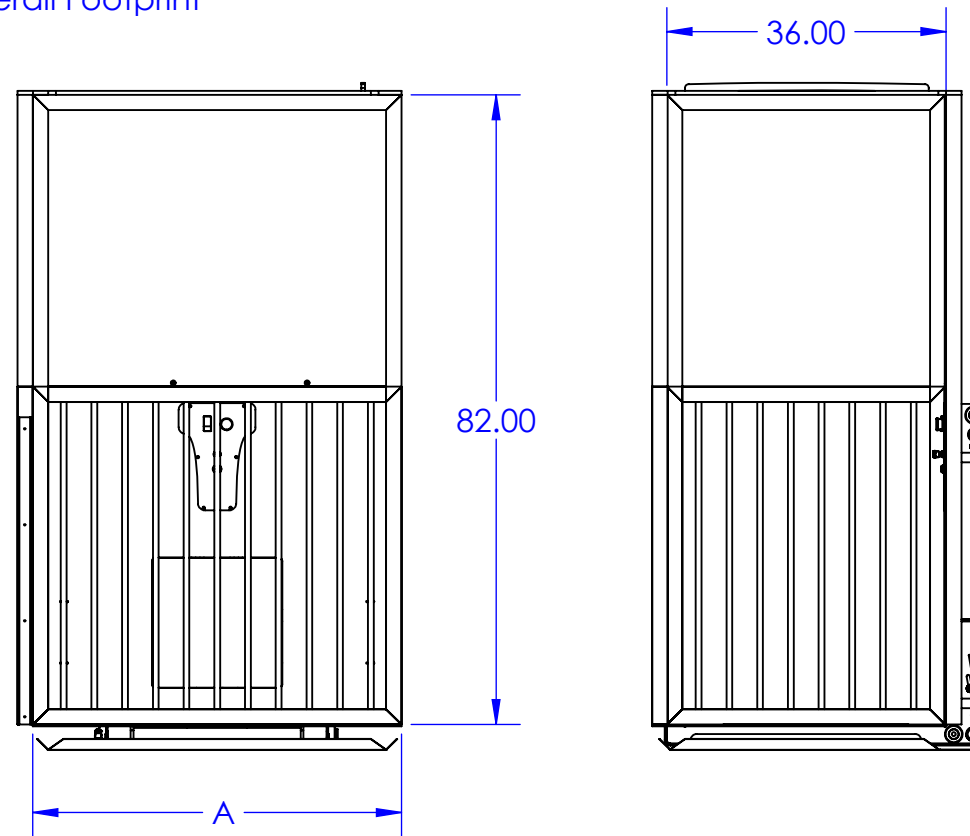
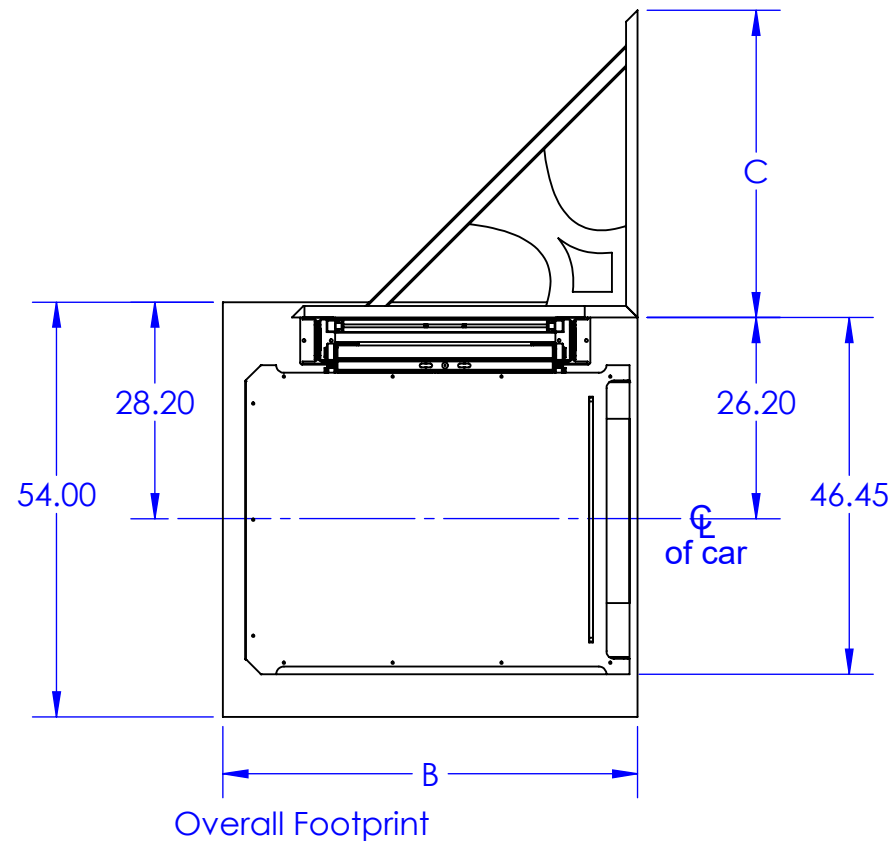
- Applicable Code: ASME A18.1
- 25 FPM travel speed, nominal
- Up to 3 landings
- Constant pressure operation
- Powder coated finish: White, Tan, Grey
- Aluminum tower and carriage
- Safety underpan
- Emergency stop and alarm on carriage
- On/off keyswitch on carriage

**Optional Features:**

- Auto Ramp
- Fixed Ramp
- Car Gates
- Battery lowering
- All aluminum, flush mount doors and gates
- Call/Send stations

Note: National Elevator Code ASME A18.1 restricts vertical platform lifts to 14' of travel. Units exceeding 14' of travel may require variances from state and/or local jurisdictions.

Car Size	Dimension "A"	Dimension "B"	Dimension "C"
36" X 48"	48"	54"	40"
36" X 54"	54"	60"	43"



"Enter/Exit" Same Side Car  
RH Shown, LH Available

Model Name	Gen 2-PE
Description	80" High Car, Picket Lower Half, Starboard Top, Plexiglass Top to Bottom.
Available Finishes	Mill Finish or Powder coated White, Tan, Grey. Clear or tinted Plexiglass.
Sizes	36" x 48" or 36" x 54"



**ODE VERTICAL PLATFORM LIFT  
MODEL: GEN 2-PE**

DO NOT SCALE DRAWING	NAME	DATE	PROJECT NAME
	DRAWN	JCE	4/23/19
APPROVAL STATUS:	PROPRIETARY AND CONFIDENTIAL		PROJECT LOCATION
APPROVED	THE INFORMATION CONTAINED IN THIS DRAWING IS THE SOLE PROPERTY OF PRECISION LIFT INDUSTRIES, LLC. ANY REPRODUCTION IN PART OR AS A WHOLE WITHOUT THE WRITTEN PERMISSION OF PRECISION LIFT INDUSTRIES, LLC IS PROHIBITED.		COMMENTS:
APPROVED AS NOTED			SIZE DWG. NO.
REVISE AND RESUBMIT			REV.
SIGNATURE			SCALE 1:16
			SHEET 10 OF 10