

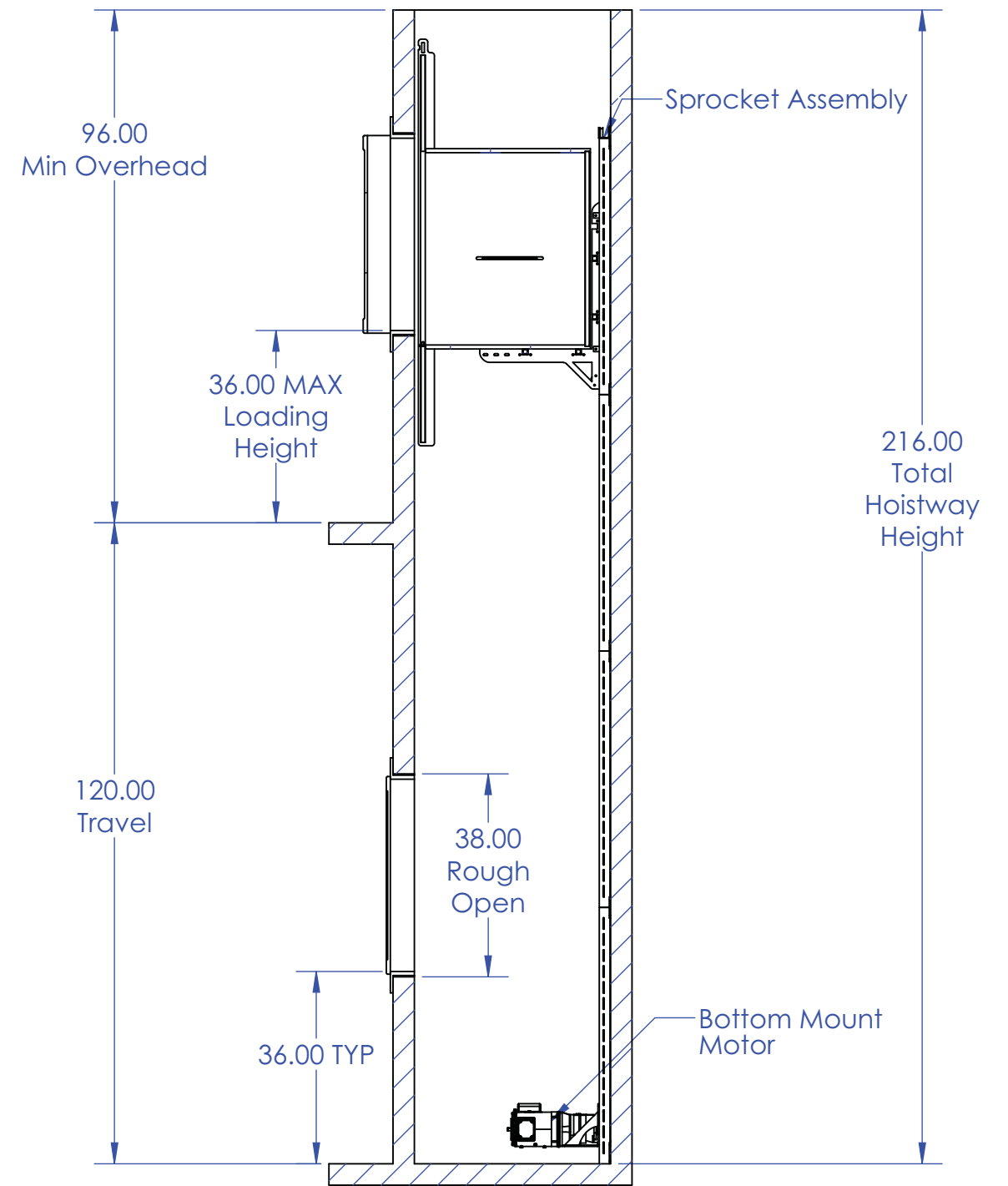
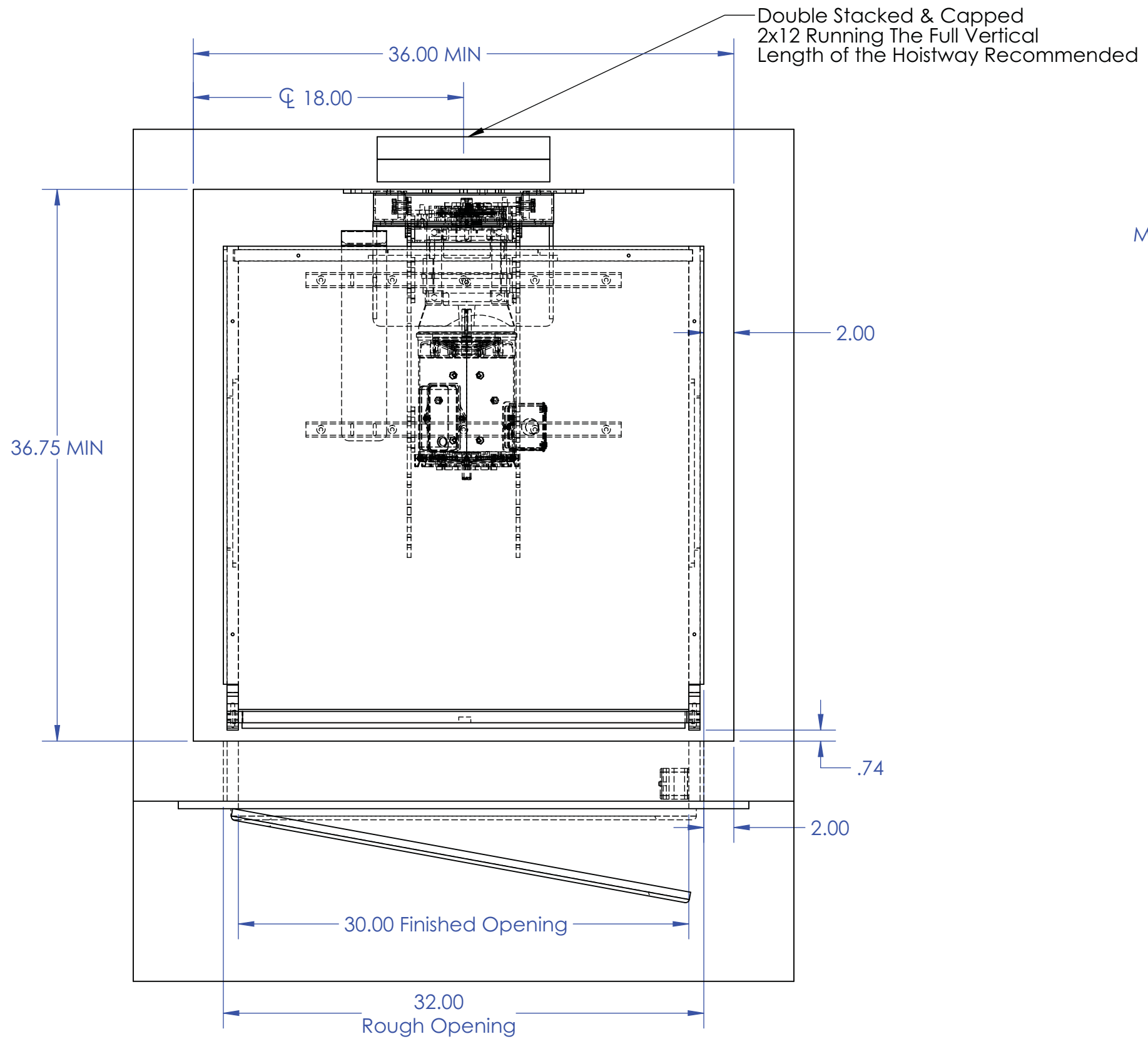
QUICK SERVE 200 SPECIFICATIONS

MODEL	QS-200
CAPACITY	300 LBS
SPEED	32 FPM (Nominal)
DRIVE	CHAIN DRIVE
DOOR LOCKS	HONEYWELL RELIALIGN ELECTROMECHANICAL INTERLOCKS
OPERATION	AUTOMATIC OPERATION, MANUAL DOORS
FINISH	WHITE LAMINATE
ELECTRICAL REQUIREMENTS	CONTROLLER COMES EQUIPPED WITH A 120VAC PLUG/PIGTAIL. REQUIRES A DEDICATED CIRCUIT, 120VAC, 15AMP OUTLET WITHIN SIGHT OF THE LIFT. FOR JURISDICTIONS WHICH REQUIRE THE CONTROLLER TO BE HARDWIRED, HARD WIRE INTO APPROPRIATE DISCONNECTING MEANS.
CONTROL SYSTEM	PLC, RELAY, PLUG'N'PLAY FIELD WIRING
CODE	AMSE 17.1.7

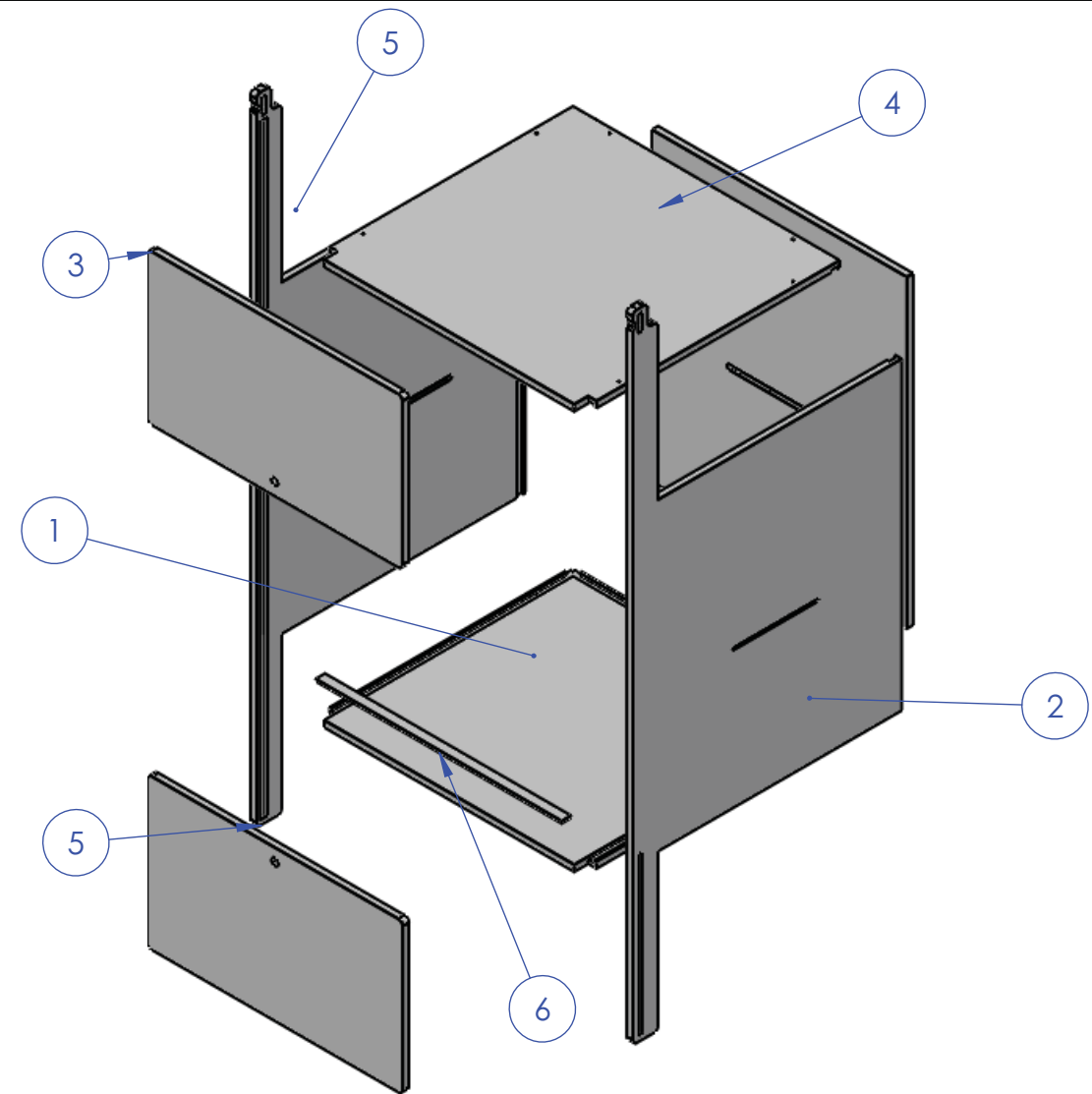
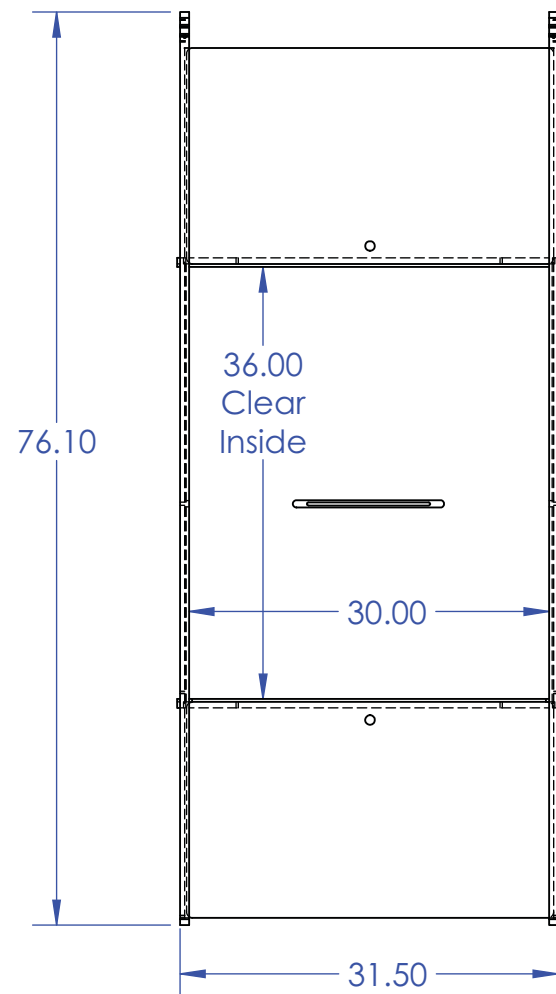
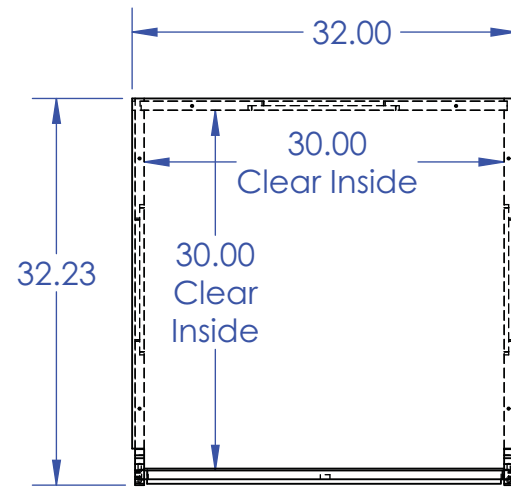
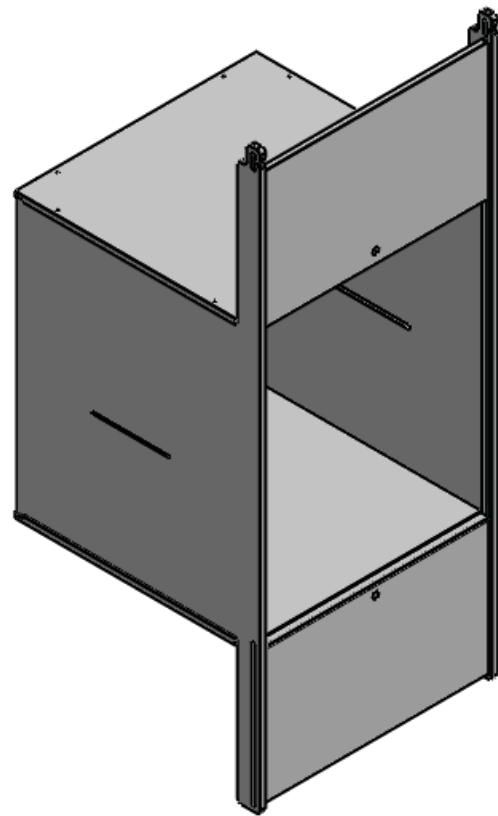


White Laminate Cab
Optional: Marine Grade Acrylic
2 RH Door Locks
30x30x36 ID Oversized Cab

DO NOT SCALE DRAWING	DRAWN	NAME	DATE	PROJECT NAME Layout Drawing
	PROPRIETARY AND CONFIDENTIAL			PROJECT LOCATION
APPROVAL STATUS:	THE INFORMATION CONTAINED IN THIS DRAWING IS THE SOLE PROPERTY OF PRECISION LIFT INDUSTRIES, LLC. ANY REPRODUCTION IN PART OR AS A WHOLE WITHOUT THE WRITTEN PERMISSION OF PRECISION LIFT INDUSTRIES, LLC IS PROHIBITED.			COMMENTS: 30x30x36 Commercial
APPROVED				
APPROVED AS NOTED				
REVISE AND RESUBMIT				
SIGNATURE	SIZE A	DWG. NO.	REV.	SCALE 1:16
				SHEET 1 OF 4



DO NOT SCALE DRAWING	NAME	DATE	PROJECT NAME
	KSB	10-29-18	Layout Drawing
APPROVAL STATUS:	PROPRIETARY AND CONFIDENTIAL		PROJECT LOCATION
APPROVED	THE INFORMATION CONTAINED IN THIS DRAWING IS THE SOLE PROPERTY OF PRECISION LIFT INDUSTRIES, LLC. ANY REPRODUCTION IN PART OR AS A WHOLE WITHOUT THE WRITTEN PERMISSION OF PRECISION LIFT INDUSTRIES, LLC IS PROHIBITED.		COMMENTS:
APPROVED AS NOTED			30x30x36 Commercial
REVISE AND RESUBMIT	SIZE	DWG. NO.	REV.
SIGNATURE	A		
	SCALE 1:16		SHEET 2 OF 4

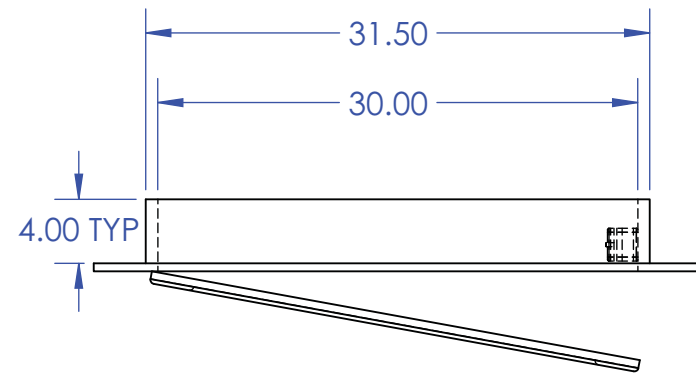


ITEM NO.	PART NUMBER	QTY.
1	Cab Bottom_Top Panel	2
2	Cab Side Panel	1
3	Cab Door Panel	2
4	Cab Panel	1
5	MirrorCab Side Panel	1
6	Door Threshold	1

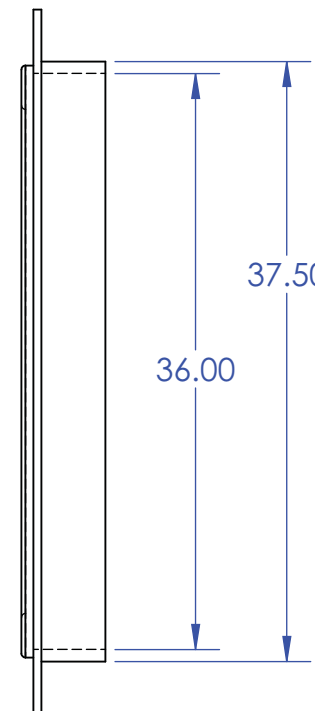
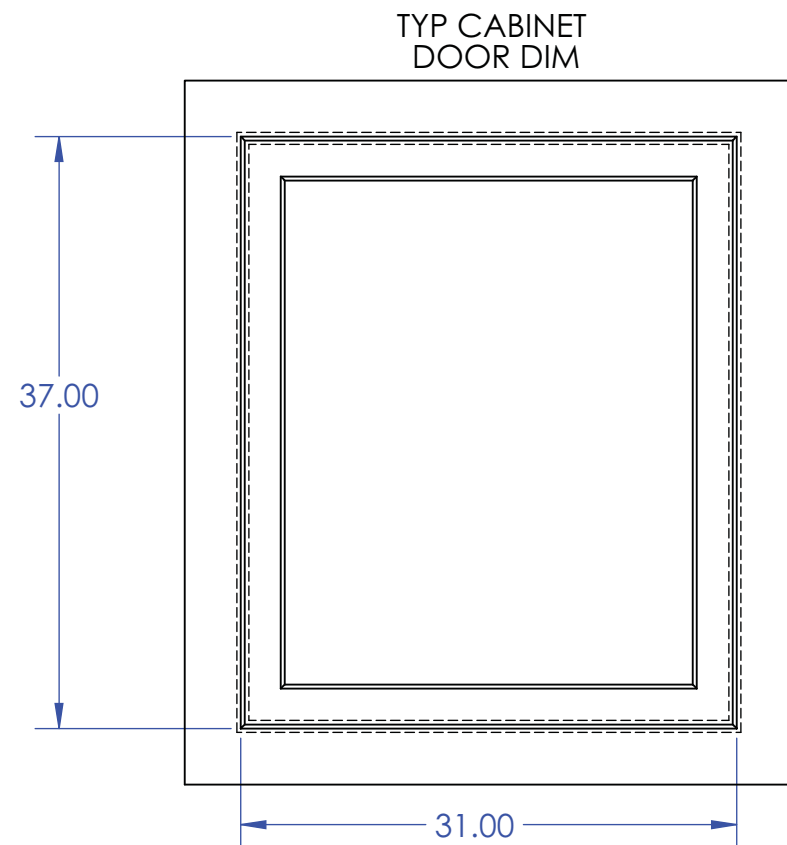


White Laminate 30x30x36 ID Oversized Cab

DO NOT SCALE DRAWING	NAME	DATE	PROJECT NAME
	DRAWN		Layout Drawing
APPROVAL STATUS:	PROPRIETARY AND CONFIDENTIAL		PROJECT LOCATION
APPROVED	THE INFORMATION CONTAINED IN THIS DRAWING IS THE SOLE PROPERTY OF PRECISION LIFT INDUSTRIES, LLC. ANY REPRODUCTION IN PART OR AS A WHOLE WITHOUT THE WRITTEN PERMISSION OF PRECISION LIFT INDUSTRIES, LLC IS PROHIBITED.		COMMENTS:
APPROVED AS NOTED			30x30x36 Commercial
REVISE AND RESUBMIT			SIZE DWG. NO.
SIGNATURE	SCALE 1:16		SHEET 3 OF 4



RH Swing Shown



**Honeywell Lock Included
Hall Cabinet Door, Hardware & Face BY OTHERS**



RECOMMENDED DOORS

DO NOT SCALE DRAWING	NAME	DATE	PROJECT NAME
	DRAWN		Layout Drawing
APPROVAL STATUS:	PROJECT LOCATION		COMMENTS:
	APPROVED	30x30x36 Commercial	
APPROVED AS NOTED	THE INFORMATION CONTAINED IN THIS DRAWING IS THE SOLE PROPERTY OF PRECISION LIFT INDUSTRIES, LLC. ANY REPRODUCTION IN PART OR AS A WHOLE WITHOUT THE WRITTEN PERMISSION OF PRECISION LIFT INDUSTRIES, LLC IS PROHIBITED.		SCALE 1:16
REVISE AND RESUBMIT	SIZE	DWG. NO.	REV.
SIGNATURE	A		SHEET 4 OF 4