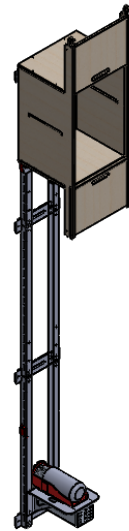



DW-200 SPECIFICATIONS

MODEL	DW-200
CAPACITY	200 LBS
SPEED	32 FPM (Nominal)
DRIVE	WINDING DRUM GEAR MOTOR
DOOR LOCKS	HONEYWELL RELIALIGN ELECTROMECHANICAL INTERLOCKS
OPERATION	AUTOMATIC OPERATION, MANUAL DOORS
FINISH	WHITE MELAMINE CAB
ELECTRICAL REQUIREMENTS	CONTROLLER COMES EQUIPPED WITH A 120VAC PLUG/PIGTAIL. REQUIRES A DEDICATED CIRCUIT, 120VAC, 15AMP OUTLET WITHIN SIGHT OF THE LIFT. FOR JURISDICTIONS WHICH REQUIRE THE CONTROLLER TO BE HARDWIRED, HARD WIRE INTO APPROPRIATE DISCONNECTING MEANS.
CONTROL SYSTEM	PLC, RELAY, PLUG'N'PLAY FIELD WIRING
CODE	AMSE 17.1.7



 PRECISION LIFT INDUSTRIES, LLC	DO NOT SCALE DRAWING		NAME	DATE	PROJECT NAME	
			DRAWN	KSB	03/07/201	
			PROPRIETARY AND CONFIDENTIAL			PROJECT LOCATION
	APPROVAL STATUS:	THE INFORMATION CONTAINED IN THIS DRAWING IS THE SOLE PROPERTY OF PRECISION LIFT INDUSTRIES, LLC. ANY REPRODUCTION IN PART OR AS A WHOLE WITHOUT THE WRITTEN PERMISSION OF PRECISION LIFT INDUSTRIES, LLC IS PROHIBITED.				COMMENTS:
	APPROVED					
APPROVED AS NOTED						
REVISE AND RESUBMIT					SIZE DWG. NO.	
SIGNATURE					REV.	
					SCALE 1:16	SHEET 1 OF 5

3RD LANDING
OPTIONAL

54.00 MIN
OVERHEAD
FROM LOADING
HEIGHT TO CEILING

36.00 TYP

2ND LANDING

21' MAX TRAVEL
FROM BOTTOM
LOADING HEIGHT
TO TOP LOADING HEIGHT

36.00 TYP
(24.00 MIN)

1st LANDING



PRECISION LIFT
INDUSTRIES, LLC

DO NOT SCALE DRAWING

APPROVAL STATUS:

- APPROVED
- APPROVED AS NOTED
- REVISE AND RESUBMIT

SIGNATURE

NAME DATE

DRAWN KSB 03/07/201

PROJECT NAME

PROPRIETARY AND CONFIDENTIAL

PROJECT LOCATION

THE INFORMATION CONTAINED IN THIS DRAWING IS THE SOLE PROPERTY OF PRECISION LIFT INDUSTRIES, LLC. ANY REPRODUCTION IN PART OR AS A WHOLE WITHOUT THE WRITTEN PERMISSION OF PRECISION LIFT INDUSTRIES, LLC IS PROHIBITED.

COMMENTS:

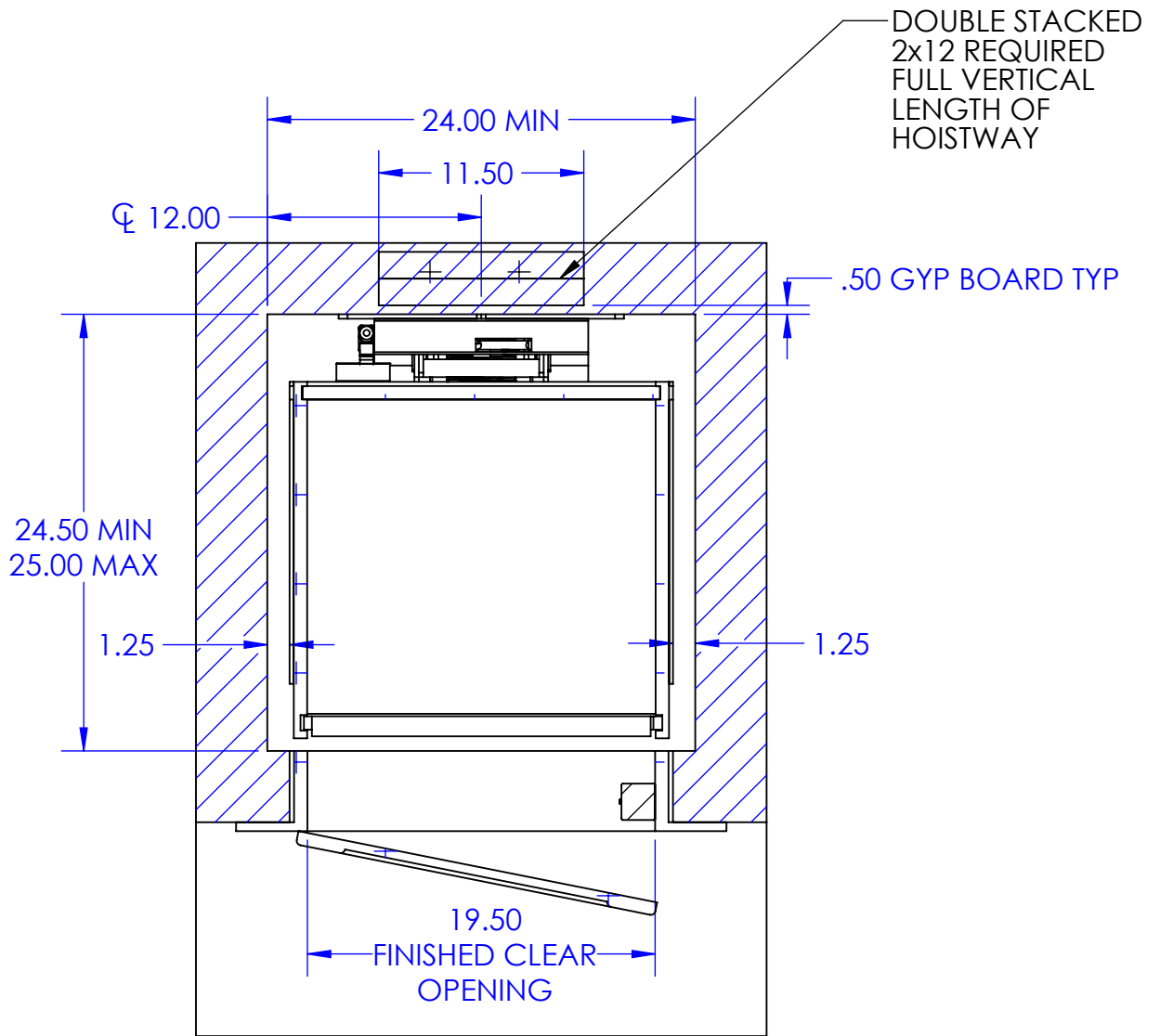
SIZE DWG. NO.

A

REV.

SCALE 1:16

SHEET 2 OF 5



PRECISION LIFT
INDUSTRIES, LLC

DO NOT SCALE DRAWING

APPROVAL STATUS:

- APPROVED
- APPROVED AS NOTED
- REVISE AND RESUBMIT

SIGNATURE

NAME DATE

DRAWN KSB 03/07/201

PROPRIETARY AND CONFIDENTIAL

THE INFORMATION CONTAINED IN THIS DRAWING IS THE SOLE PROPERTY OF PRECISION LIFT INDUSTRIES, LLC. ANY REPRODUCTION IN PART OR AS A WHOLE WITHOUT THE WRITTEN PERMISSION OF PRECISION LIFT INDUSTRIES, LLC IS PROHIBITED.

PROJECT NAME

PROJECT LOCATION

COMMENTS:

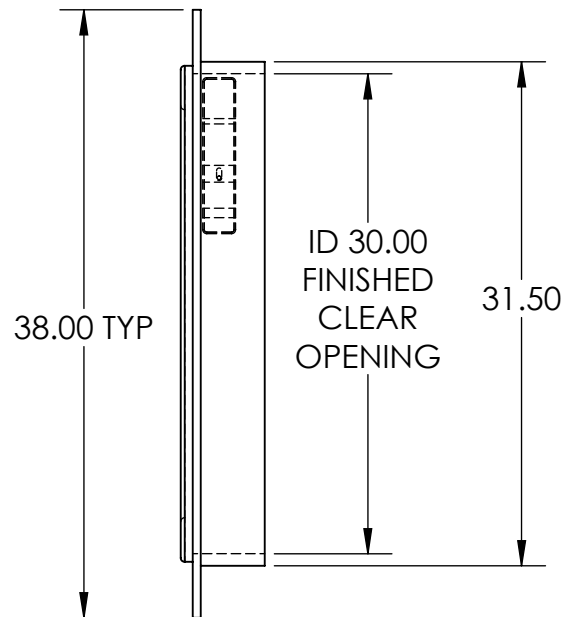
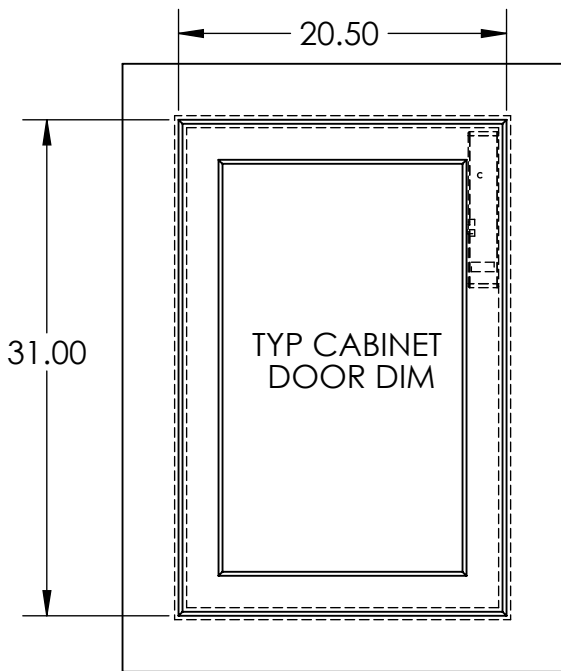
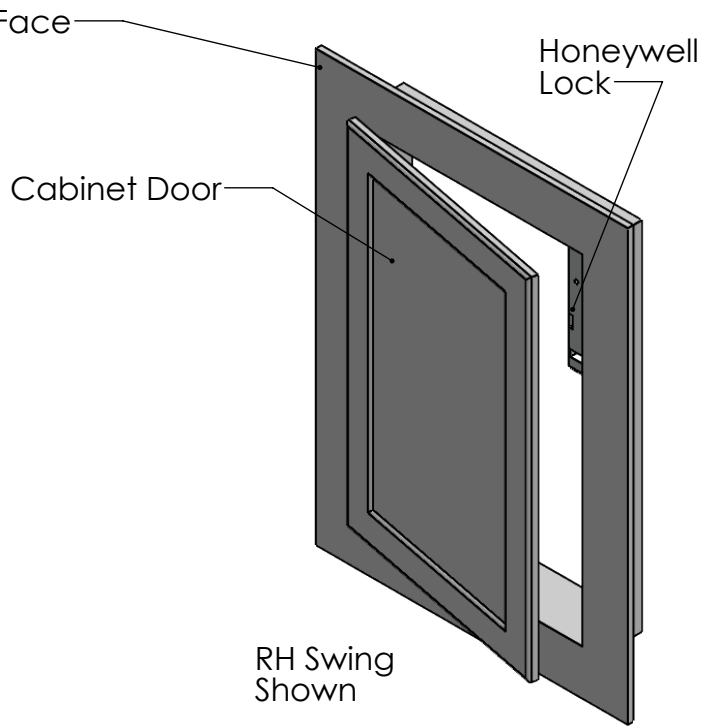
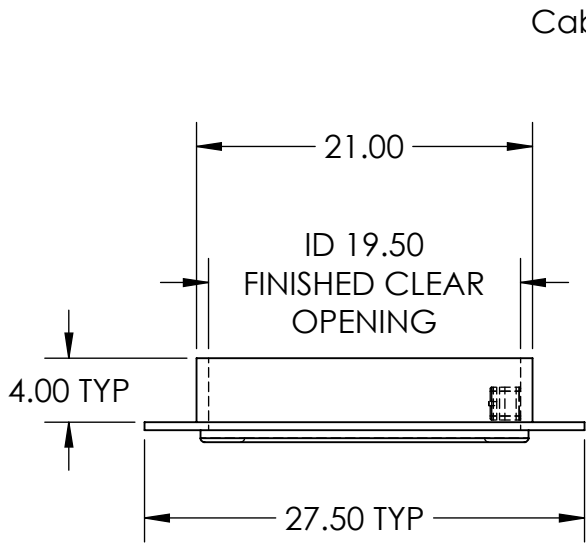
SIZE DWG. NO.

A

REV.

SCALE 1:16

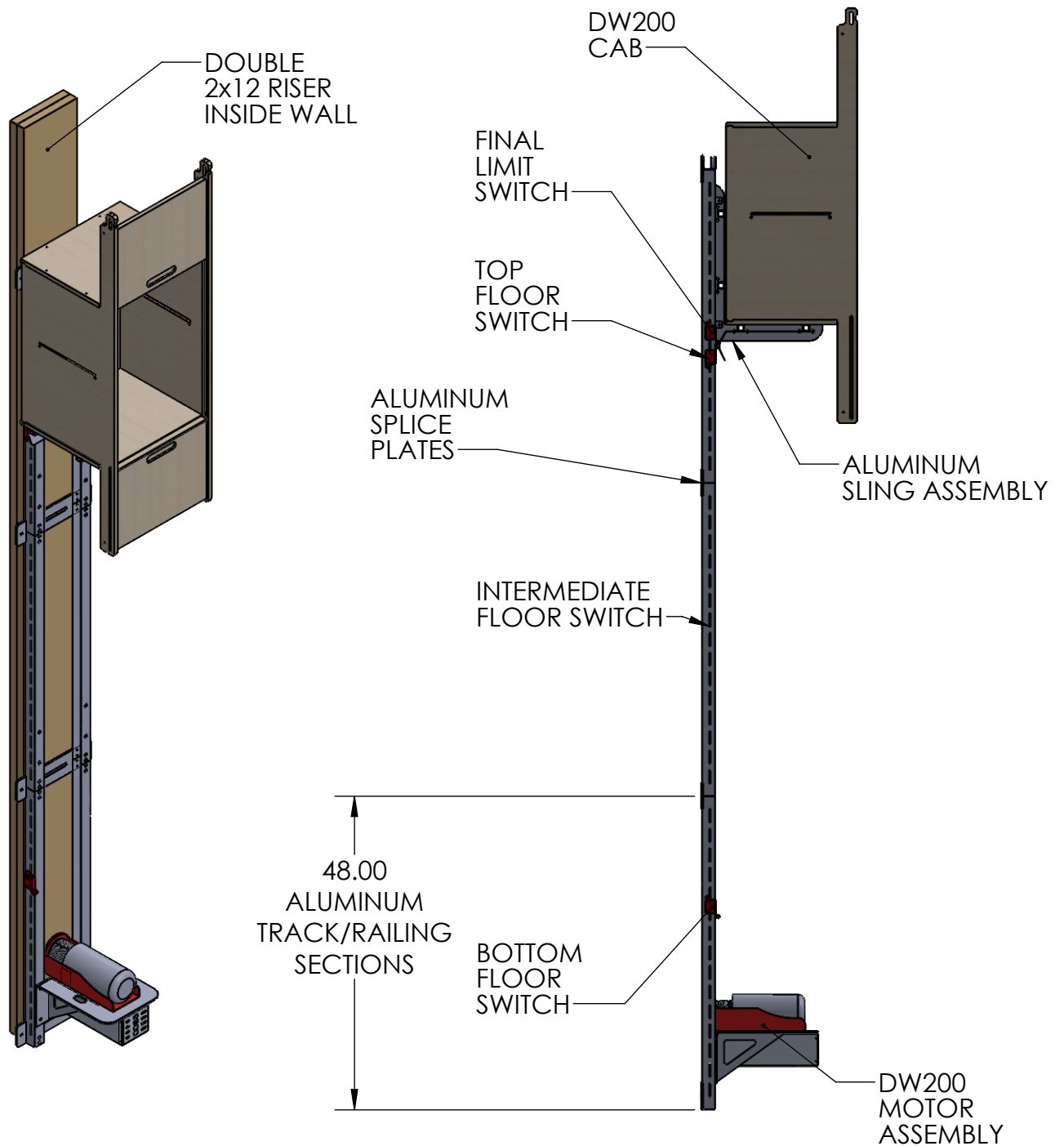
SHEET 3 OF 5



**Honeywell Lock Included
Hall Cabinet Door, Hardware & Face BY OTHERS**



DO NOT SCALE DRAWING	NAME	DATE	PROJECT NAME
	DRAWN	KSB	03/07/2011
APPROVAL STATUS:	PROPRIETARY AND CONFIDENTIAL		PROJECT LOCATION
APPROVED	THE INFORMATION CONTAINED IN THIS DRAWING IS THE SOLE PROPERTY OF PRECISION LIFT INDUSTRIES, LLC. ANY REPRODUCTION IN PART OR AS A WHOLE WITHOUT THE WRITTEN PERMISSION OF PRECISION LIFT INDUSTRIES, LLC IS PROHIBITED.		COMMENTS:
APPROVED AS NOTED			RECOMMENDED DOORS
REVISE AND RESUBMIT			
SIGNATURE	SIZE	DWG. NO.	REV.
	A		
	SCALE 1:16		SHEET 4 OF 5



PRECISION LIFT
INDUSTRIES, LLC

DO NOT SCALE DRAWING

APPROVAL STATUS:

- APPROVED
- APPROVED AS NOTED
- REVISE AND RESUBMIT

SIGNATURE

NAME DATE

DRAWN KSB 03/07/201

PROPRIETARY AND CONFIDENTIAL

THE INFORMATION CONTAINED IN THIS DRAWING IS THE SOLE PROPERTY OF PRECISION LIFT INDUSTRIES, LLC. ANY REPRODUCTION IN PART OR AS A WHOLE WITHOUT THE WRITTEN PERMISSION OF PRECISION LIFT INDUSTRIES, LLC IS PROHIBITED.

PROJECT NAME

PROJECT LOCATION

COMMENTS:

SIZE DWG. NO.

A

REV.

SCALE 1:16

SHEET 5 OF 5