

QUICK SERVE 200 RESIDENTIAL DUMBWAITER

The QS-200 can make daily tasks a breeze when it comes to transporting heavy or bulky items between floors. Whether you're moving laundry to the utility room, sending groceries to the kitchen, or lifting firewood to the living room, its 200-pound weight capacity makes it more than capable for most household dumbwaiter applications.

Driven by a winding drum machine that can be mounted at the top or bottom of the hoistway, the QS-200 travels at up to 32 fpm along aluminum guide rails. Instant safeties prevent the car from falling in the event of a cable failure, while the mechanical limit switches provide over travel protection and slack cable detection. For added safety, interlocks come standard, preventing the doors from opening unless the car is present, and preventing the car from moving until the door is closed.

Call/send stations allow you to send and retrieve the dumbwaiter from any level and feature "car here" and "in-use" indicator lights.

Not sure if the QS-200 will work for you? We offer custom car sizes and configurations, as well as a number of custom finishes and options.



SAFETY FIRST DESIGN

EASY INSTALLATION

EASY MAINTENANCE

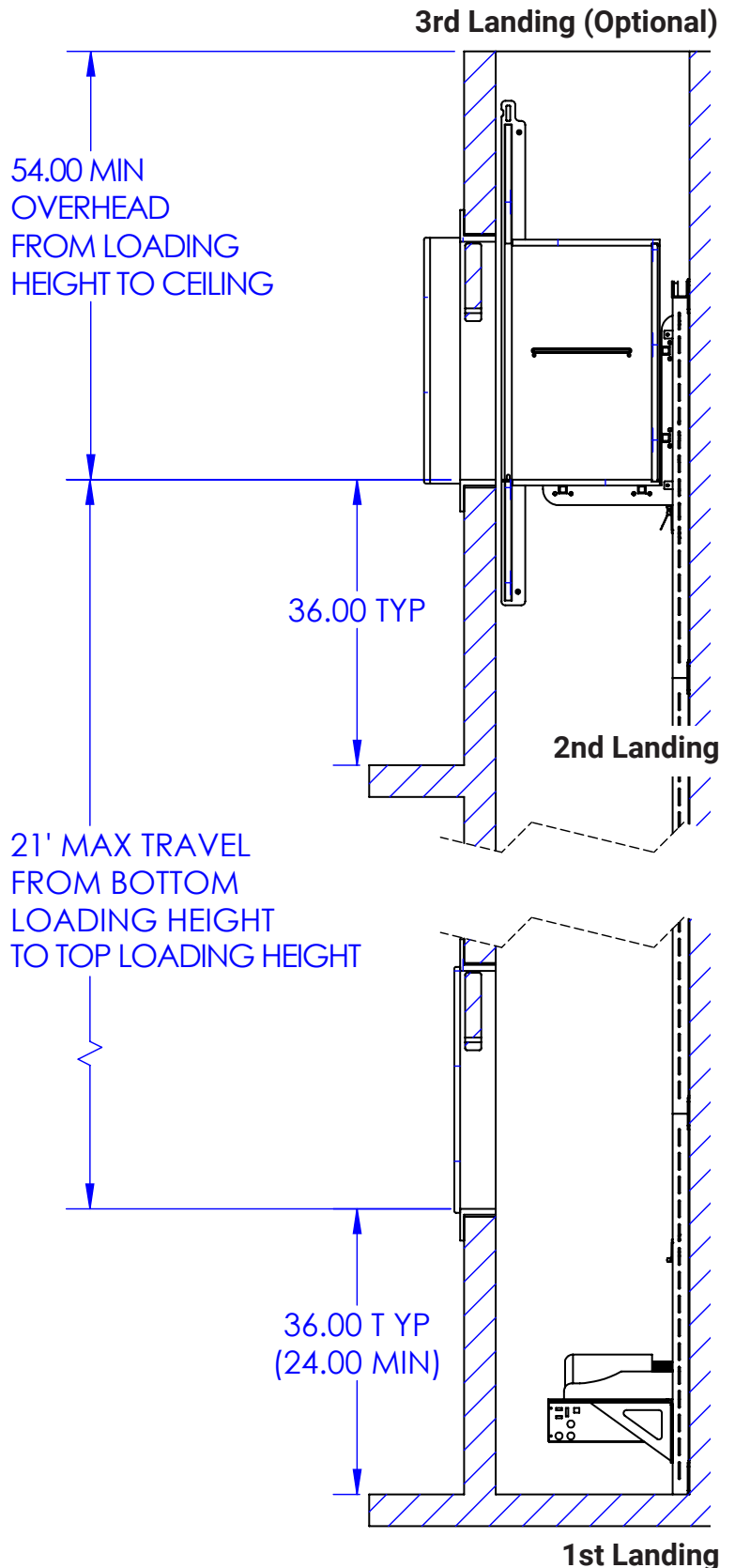
2 YEAR WARRANTY
All Parts & Components

SPECIFICATIONS

Weight Capacity	200 lbs.
Speed	32 fpm
Drive	Winding drum gear motor
Door Locks	Honeywell realign electromechanical interlocks
Operation	Automatic Operation Manual Doors
Finish	White Melamine Cab
Max Travel - Standard	18 ft
Max Travel - Optional	21 ft
Car Size - Standard	20"w x 20"d x 30"h
	<i>Minimum:</i> 16"w x 16"d x 30"h
Car Size - Optional	<i>Maximum:</i> w/ Side Mount Rails 24"w x 30"d x 30"h w/ Rear Mount Rails 30"w x 24"d x 30"h
Stops - Standard	2
Stops - Optional	3 or 4
Stainless Steel Panel Option	No
Hardwood Door Option	Yes
Straight Through Car Option	Yes
90° Car Option	No
Warranty	2 Years Parts & Components

This unit is for **Residential Use Only**.

This unit is not intended to transport human beings or live cargo.



Literature is current at time of this version. PLI reserves the right to make changes to the product or literature at any time.