



PRECISION LIFT
INDUSTRIES, LLC

QUICK SERVE-200 DUMBWAITER

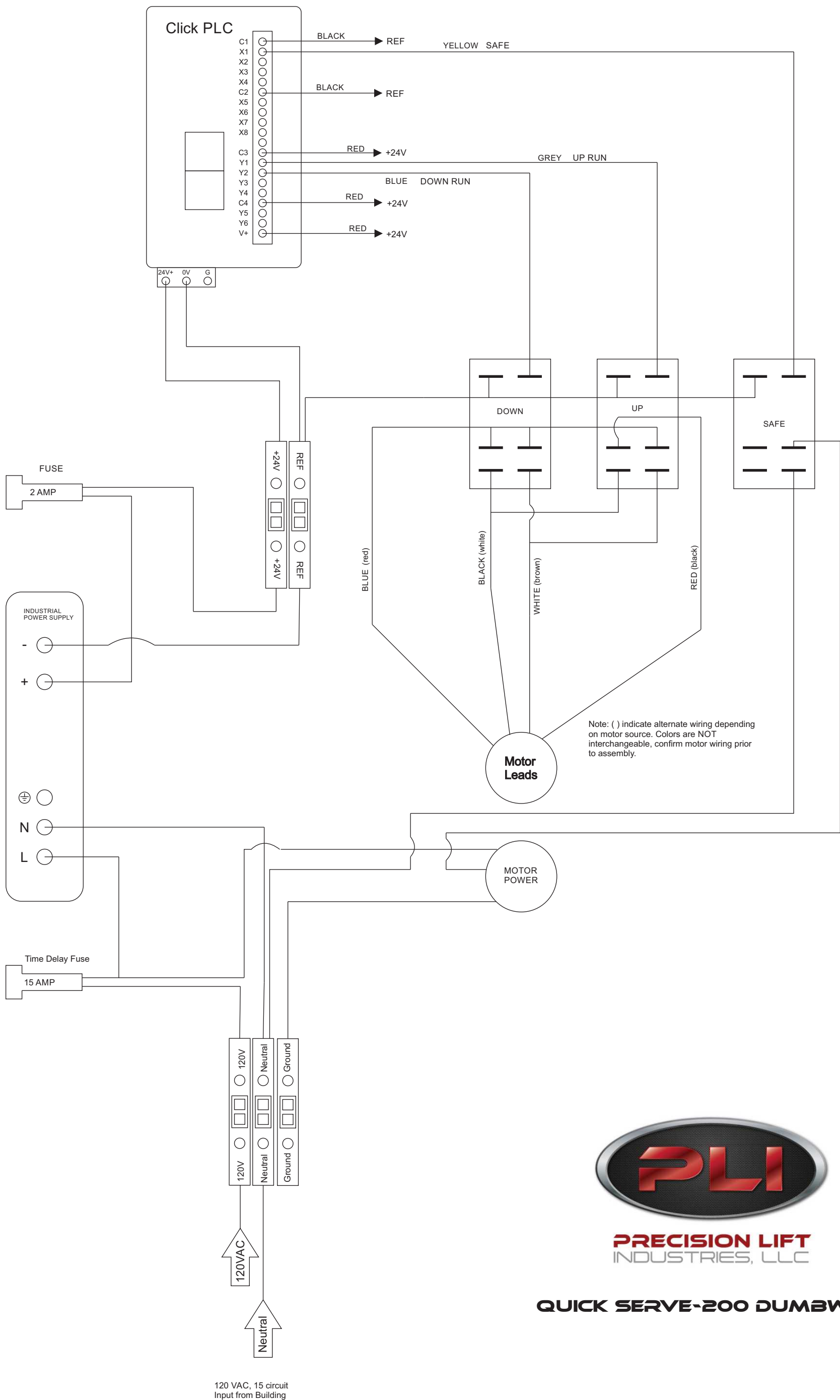
System Overview

The Quick Serve-200 (QS-200) is a residential dumbwaiter designed to quickly and safely transport small cargo between multiple levels of a house. This unit is not intended to transport human beings or live cargo.

Controlled by an industrial grade PLC, the QS-200 features: automatic operation for up to 4 levels, "car here" and "in use" lights, electro-mechanical door locks, and the ability to call and send the dumbwaiter from any level to any level. A winding drum machine raises and lowers the aluminum car sling, which is equipped with 4 roller guides. Instant safeties to prevent the car from falling in the event of a cable failure. Rugged, mechanical limit switches stop the car at the desired floor level, and also provide over travel protection and slack cable detection. The electro-mechanical door locks prevent doors from opening unless the car is present, and prevent the car from moving until the door is closed. All switches and wires are equipped with plug in connectors to ensure quick, easy and trouble-free installations. The standard car finish is white laminate plywood with several available upgraded wood species as well as a marine grade or food grade plastic. The car is equipped with bi-parting doors to keep cargo safely inside during transport. Nominal 20"w x 20"d x 30"h car size is kept in stock for quick shipping. Custom sizes up to 20w x 20d x 30"h are available at no extra charge. Sizes larger than this are available for a small up-charge. Hallway doors are typically provided by others and built similar to a cabinet door. The dumbwaiter has a 200 lb capacity for residential use and travels at approximately 32 fpm.

Installation is quick and easy. The aluminum rails are supplied in 4' sections which splice together with machined fish plates and 1/4"-20 screws. The first section of track is shipped pre-assembled with the sling and motor installed. Simply place the entire starter section into the dumbwaiter shaft, then continue to stack rails up to the top. The top out rails are cut to length in the field. Next route the cable around the overhead sheave and back down to car and connect to the hitch plate. (remove temporary shipping bolts from carriage/ rails) Plug in the controller and use the temporary run bug to move the car up. Install all switches and cams. Install hall call stations. Install door locks. Install car enclosure. Test automatic operation, ensure floor levels are accurate and final limit switch works properly. Ensure door locks secure all doors, and unlock at the proper floor level. Ensure the car will not run if the door is open.

The Quick Serve-200 comes with a 2 year warranty on all parts and components. See warranty document for further details.



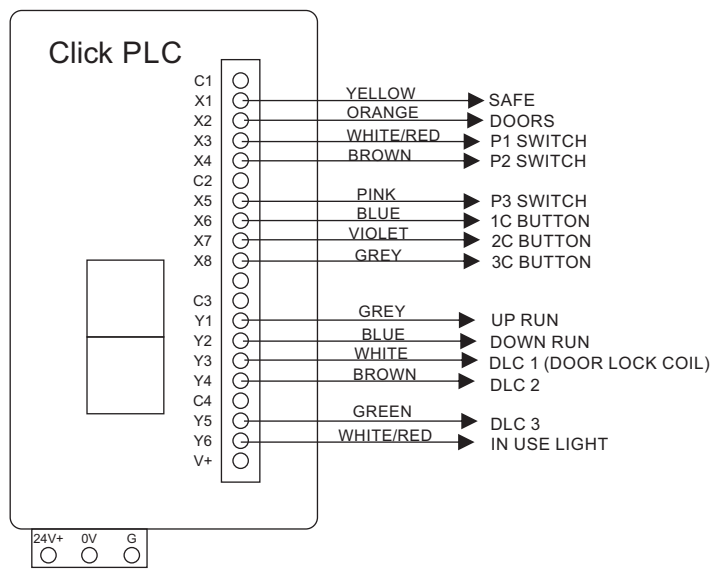
PRECISION LIFT
INDUSTRIES, LLC

QUICK SERVE-200 DUMBWAITER



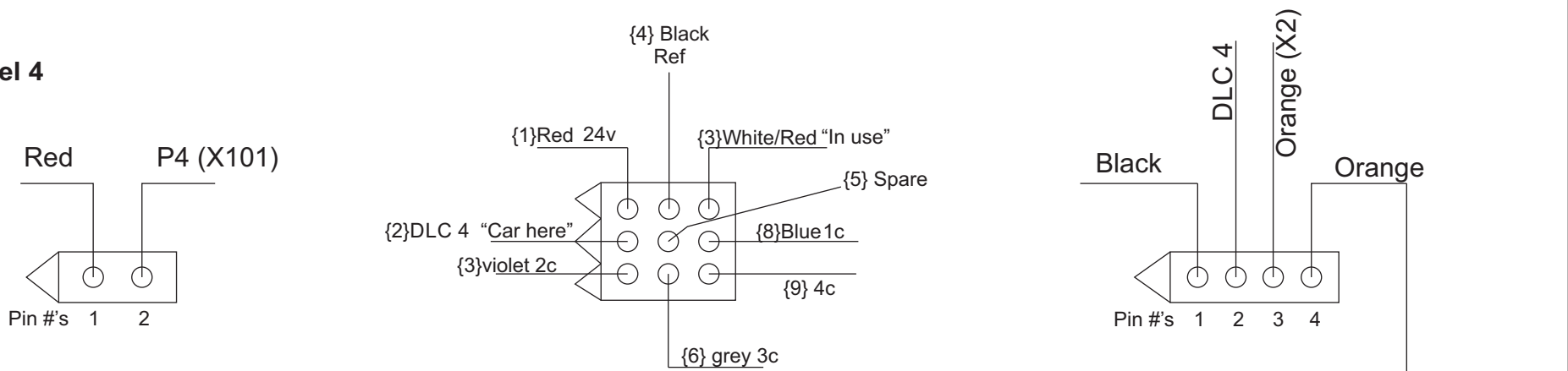
PRECISION LIFT
INDUSTRIES, LLC

QUICK SERVE-200 DUMBWAITER

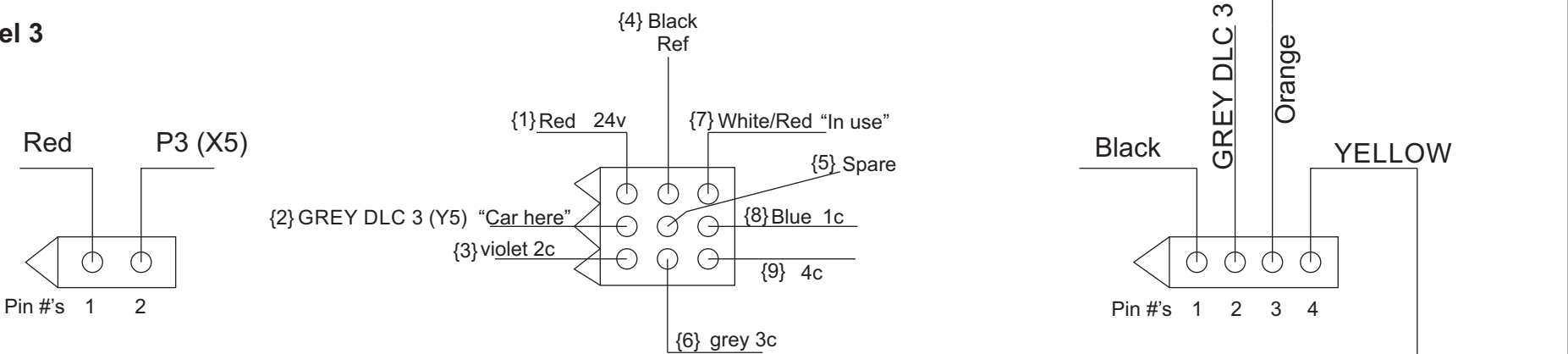


Receptacles shown, as viewed from back
{#} indicate pin number

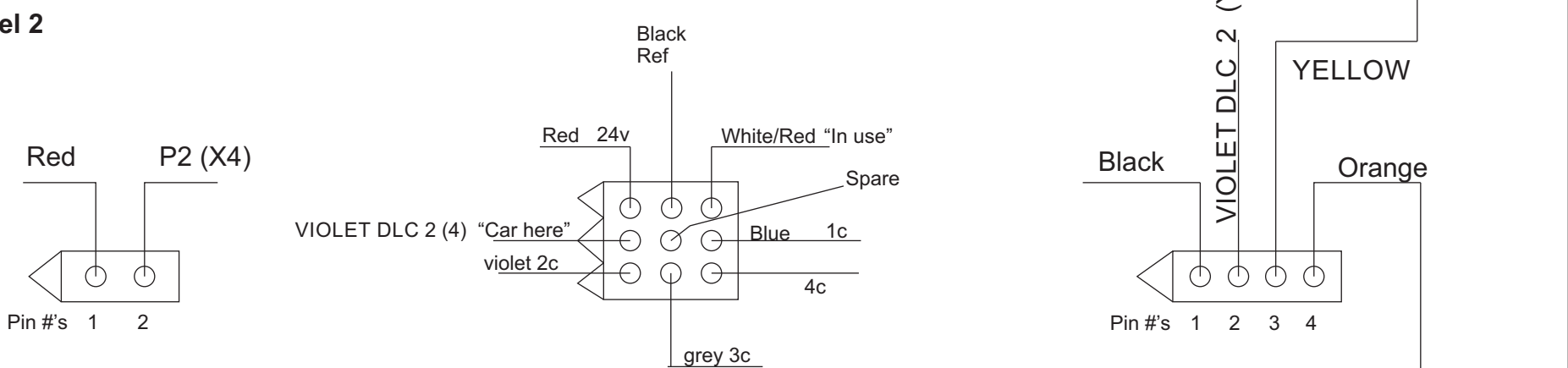
Level 4



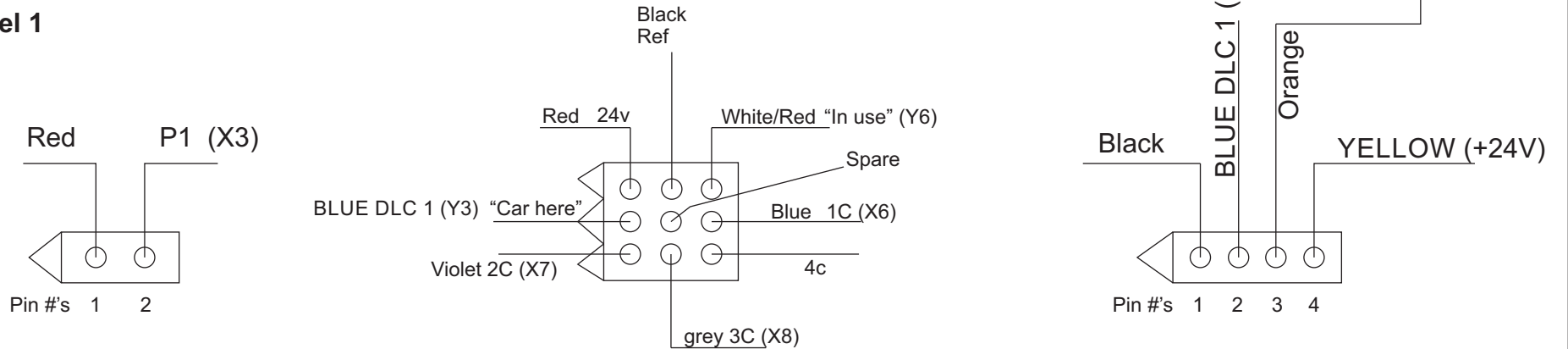
Level 3



Level 2



Level 1

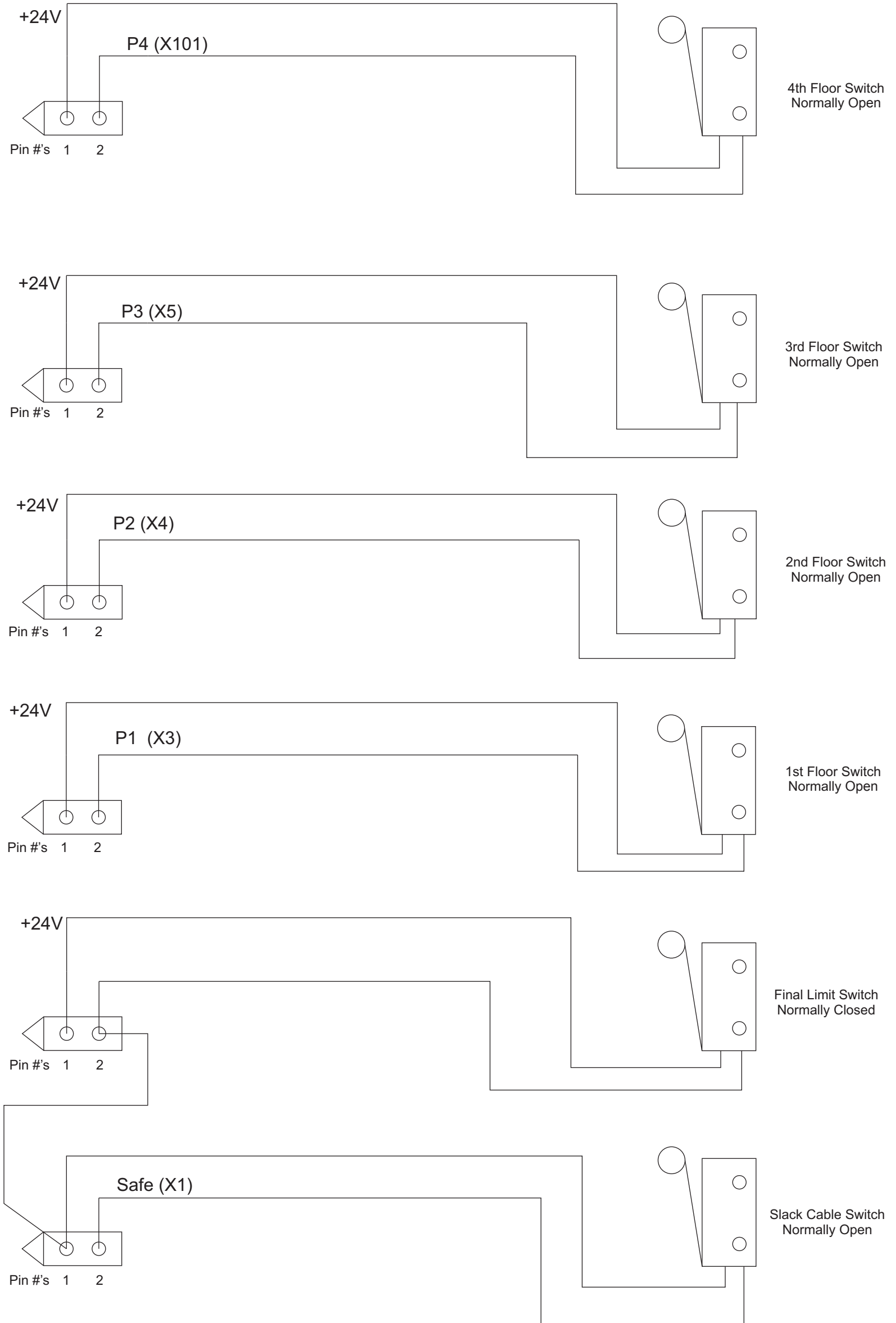




PRECISION LIFT
INDUSTRIES, LLC

QUICK SERVE-200 DUMBWAITER

Switch Diagram





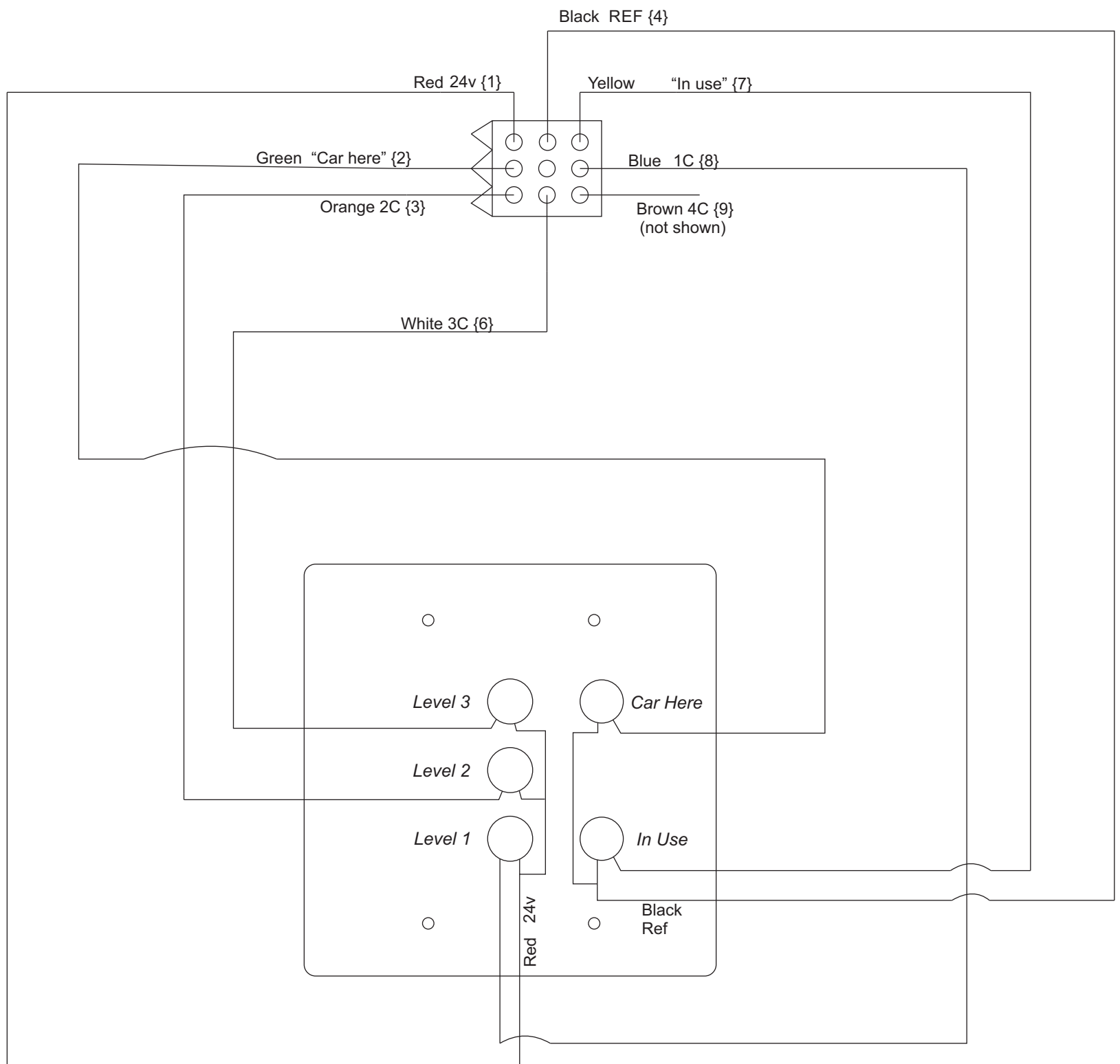
PRECISION LIFT INDUSTRIES, LLC

QUICK SERVE-200 DUMBWAITER

Typical Door Lock Diagram



Typical Hall Call Station Diagram
{ } Indicate Pin Number





PRECISION LIFT
INDUSTRIES, LLC

QUICK SERVE-200 DUMBWAITER

Standard Wire Lengths

Wire lengths are based on 12' floors.
12' extension cables
are available upon request.

Door Locks- 1 @ (10')
1 @ (22')
1 @ (34') (3 & 4 stop only)
1 @ (46') (4 stop only)

Hall Call Stations- 1 @ (10')
1 @ (22')
1 @ (34') (3 & 4 stop only)
1 @ (46') (4 stop only)

Floor switches- 1 @ (6')
1 @ (18')
1 @ (30') (3 & 4 stop only)
1 @ (42') (4 stop only)

Final Limit- 1 @ (6') (basement mount machine
requires extension cable, included)

Slack cable- 1 @ (3')

Note: Y-adapter harness required for access door switch or float switch.