

ODE-500






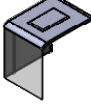
Please select one option from each box

Quote Request Order

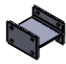



Dealer Name:
Job Name:

Location:
Requested Ship Date:

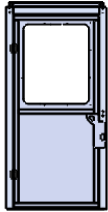


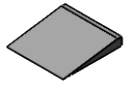


CARRIAGE

Openings  <input type="radio"/> Single Opening  <input type="radio"/> Pass Through	Enclosure  <input type="radio"/> Top Only  <input type="radio"/> Top w/ Plexi Side Enclosure <input type="radio"/> None	Safety Pan <input type="radio"/> Yes <input type="radio"/> No, Hoistway is enclosed		
		Pass Through Only		
		Auto Ramp <input type="radio"/> Yes <input type="radio"/> No	Car Gate <input type="radio"/> RH <input type="radio"/> LH	Door Fascia <input type="radio"/> By PLI <input type="radio"/> By Others

TOWER

Configuration <small>As viewed from top landing</small> <input type="radio"/> Tower on Left <input type="radio"/> Tower on Right	Tower Support <input type="radio"/> Standoff  <input type="radio"/> Triangle 	Tower Splice <input type="radio"/> No <input type="radio"/> Yes <small>Required if Powder Coated</small>	Tower Fascia <input type="radio"/> Solid Panel  <input type="radio"/> Expanded Panel 
--	--	--	--

DOORS

Lower Door <input type="radio"/> LDS <input type="radio"/> LDM <input type="radio"/> LDL <input type="radio"/> LDXL <input type="radio"/> Flush Mount <input type="radio"/> Unsure	 <input type="radio"/> RH <input type="radio"/> LH	<input type="radio"/> 36" Upper Gate  <input type="radio"/> RH <input type="radio"/> LH	<input type="radio"/> 42" Upper Gate  <input type="radio"/> RH <input type="radio"/> LH	6" Fixed Ramp <small>For applications with no pit</small> <input type="radio"/> Yes  <input type="radio"/> No 	Door Swing  LH RH <small>example</small>
---	---	--	---	---	---

See Lower Door Size Chart for dimensions

POWER

Supply Voltage <input type="radio"/> 110vac <input type="radio"/> Battery Lowering	Wire Lengths <input type="radio"/> Standard <input type="radio"/> Custom Door/Gate Wire 20' _____ Travel Cable 20' _____ Motor Wire 22' _____
---	--

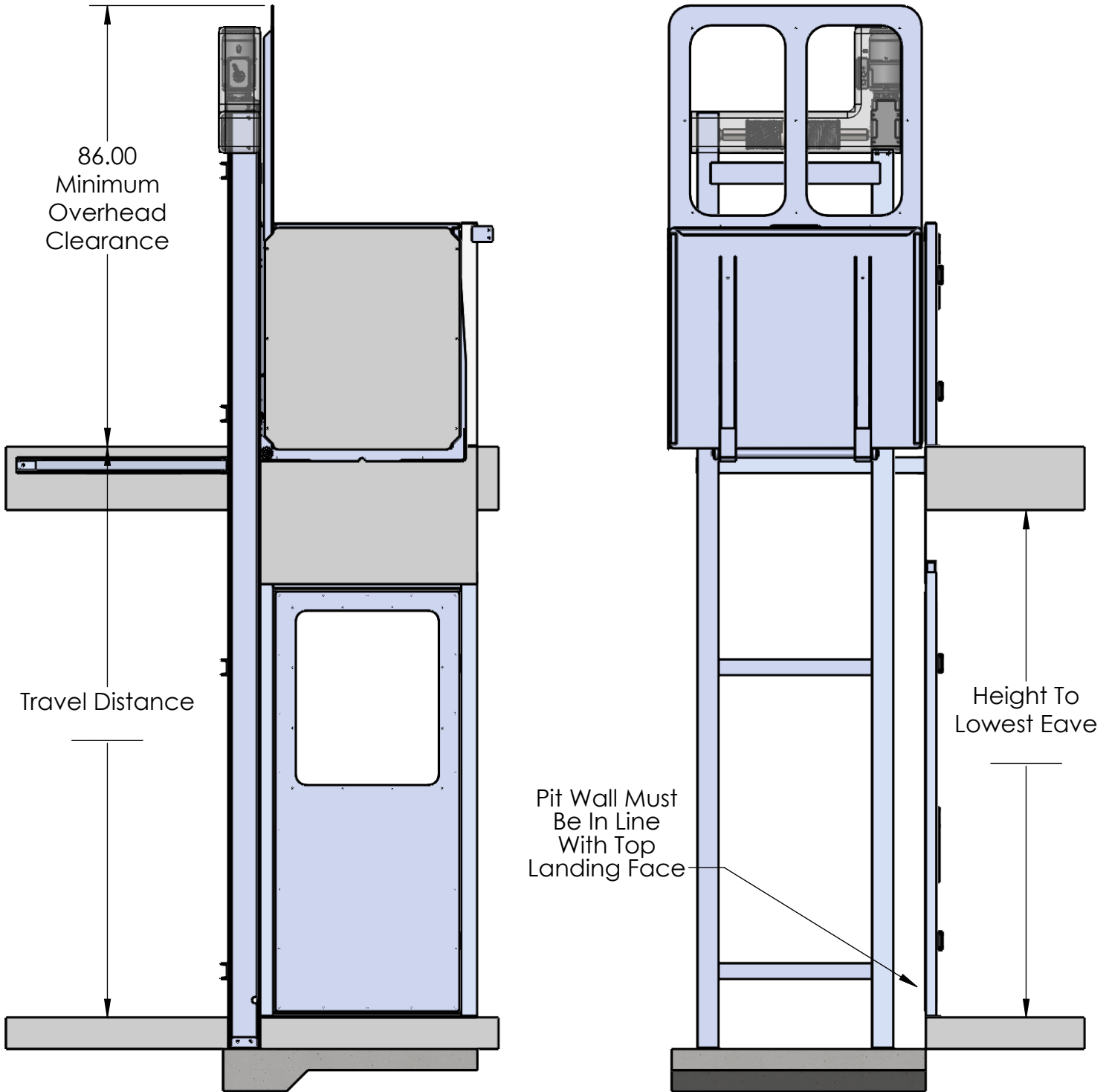
FINISH

<input type="radio"/> Mill Finish <input type="radio"/> Powder Coat Entire Package <input type="radio"/> Powder Coat Specific Parts	Gloss <input type="radio"/> White <input type="radio"/> Almond <input type="radio"/> Putty Tan	Semi Gloss <input type="radio"/> Ansi Gray	Premium Powder <input type="radio"/> Imperial Beige <input type="radio"/> Oyster White <input type="radio"/> Custom
---	--	--	---

Shipping <input type="radio"/> Pick Up <input type="radio"/> PLI Delivery (if available) <input type="radio"/> Shipping by others	<h2>ADDITIONAL INFORMATION</h2>
<input type="radio"/> Initial Drawing Requested Email: _____ <input type="radio"/> Approved for production as listed above	



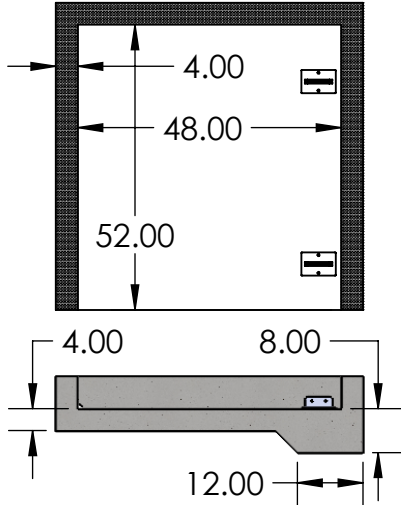
Please fill in all blank fields



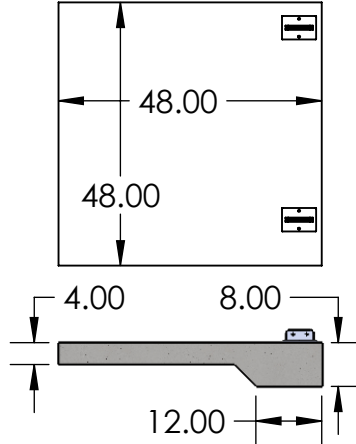


PIT OPTIONS (Select One)

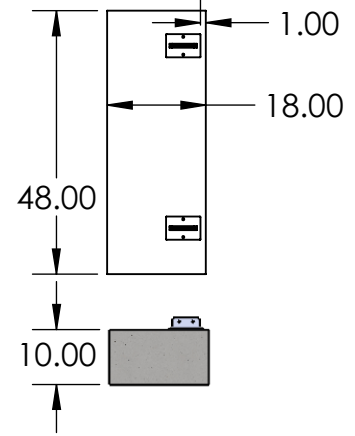
Recessed 6" Pit



Recessed 6" Slab



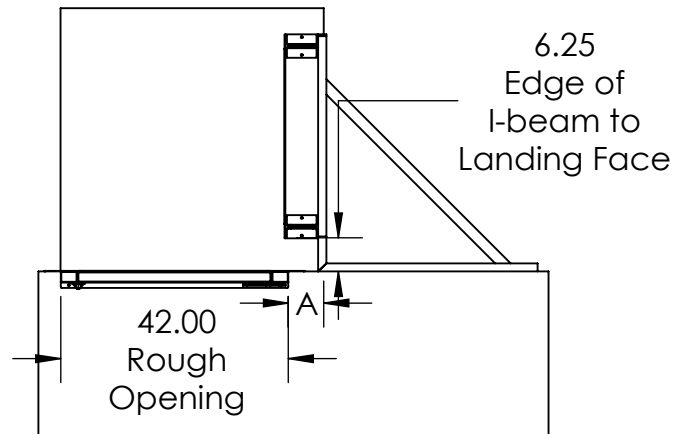
Recessed 6" Footer



No Pit / 6" Fixed Ramp by PLI

No Pit / 6" Fixed Ramp by others

Gate Opening From Pit Edge	A
LH Swing	4.25
RH Swing	6.25



PIT REQUIREMENTS

All concrete to be reinforced with #3 rebar @ slab/footer mid-depth.
 6" depression recommended from bottom floor to pit/slab/footer.
 Dimensions must meet or exceed minimum requirements listed above

ELECTRICAL REQUIREMENTS

CONTROLLER COMES EQUIPPED WITH A 120VAC PLUG/PIGTAIL.
 REQUIRES A DEDICATED CIRCUIT, 120VAC, 20AMP OUTLET WITHIN SIGHT OF THE LIFT.
 FOR JURISDICTIONS WHICH REQUIRE THE CONTROLLER TO BE HARDWIRED,
 CUT CORD END AND HARD WIRE INTO APPROPRIATE DISCONNECTING MEANS.
 CORD MAY ALSO BE REMOVED AND REPLACED WITH APPROPRIATE WIRE SUPPLIED BY OTHERS.

Precision Lift Industries 3605 N Davis Highway Pensacola, FL 32503 1-877-770-5862 Fax 850-433-7323

THE INFORMATION CONTAINED IN THIS DRAWING IS THE SOLE PROPERTY OF PRECISION LIFT INDUSTRIES, LLC.
 ANY REPRODUCTION IN PART OR AS A WHOLE WITHOUT THE WRITTEN PERMISSION OF PRECISION LIFT INDUSTRIES, LLC IS PROHIBITED.