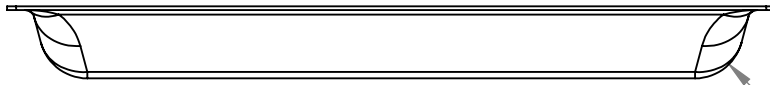
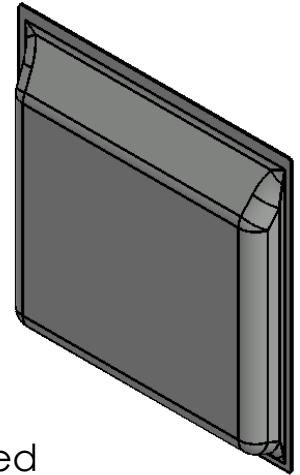


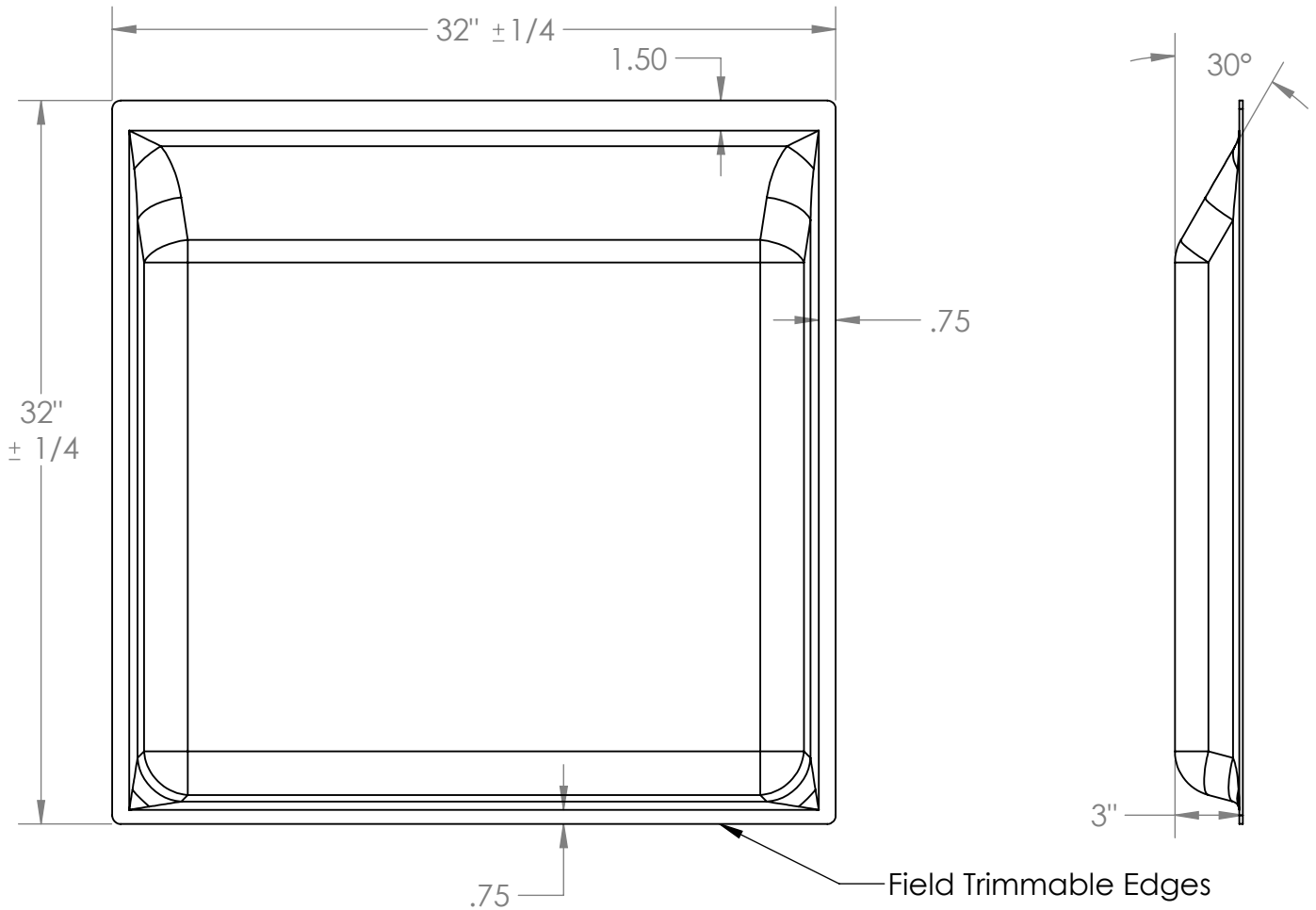
3" DOOR BAFFLE



R2.00



Tamper resistant wood screws provided for securing baffles to doors.



PROPRIETARY AND CONFIDENTIAL

THE INFORMATION CONTAINED IN THIS DRAWING IS THE SOLE PROPERTY OF PRECISION LIFT INDUSTRIES. ANY REPRODUCTION IN PART OR AS A WHOLE WITHOUT THE WRITTEN PERMISSION OF PRECISION LIFT INDUSTRIES IS PROHIBITED.

	NAME	DATE
DRAWN	KSB	11-16-15
CHECKED		
ENG APPR.		
MFG APPR.		
Q.A.		

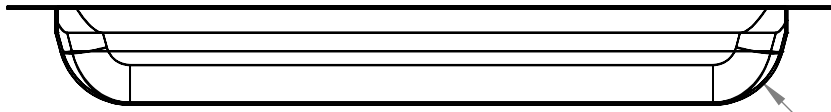
COMMENTS:

Precision Lift Industries

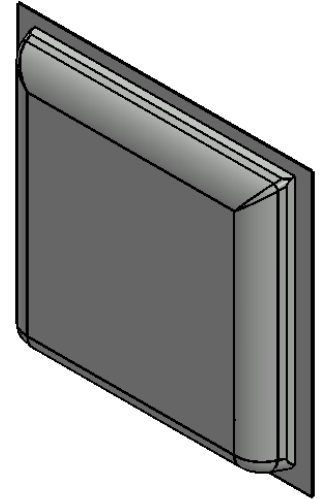


SIZE	DWG. NO.	REV.
A	3" Door Baffle	-
SCALE: 1:8	WEIGHT:	SHEET 1 OF 2

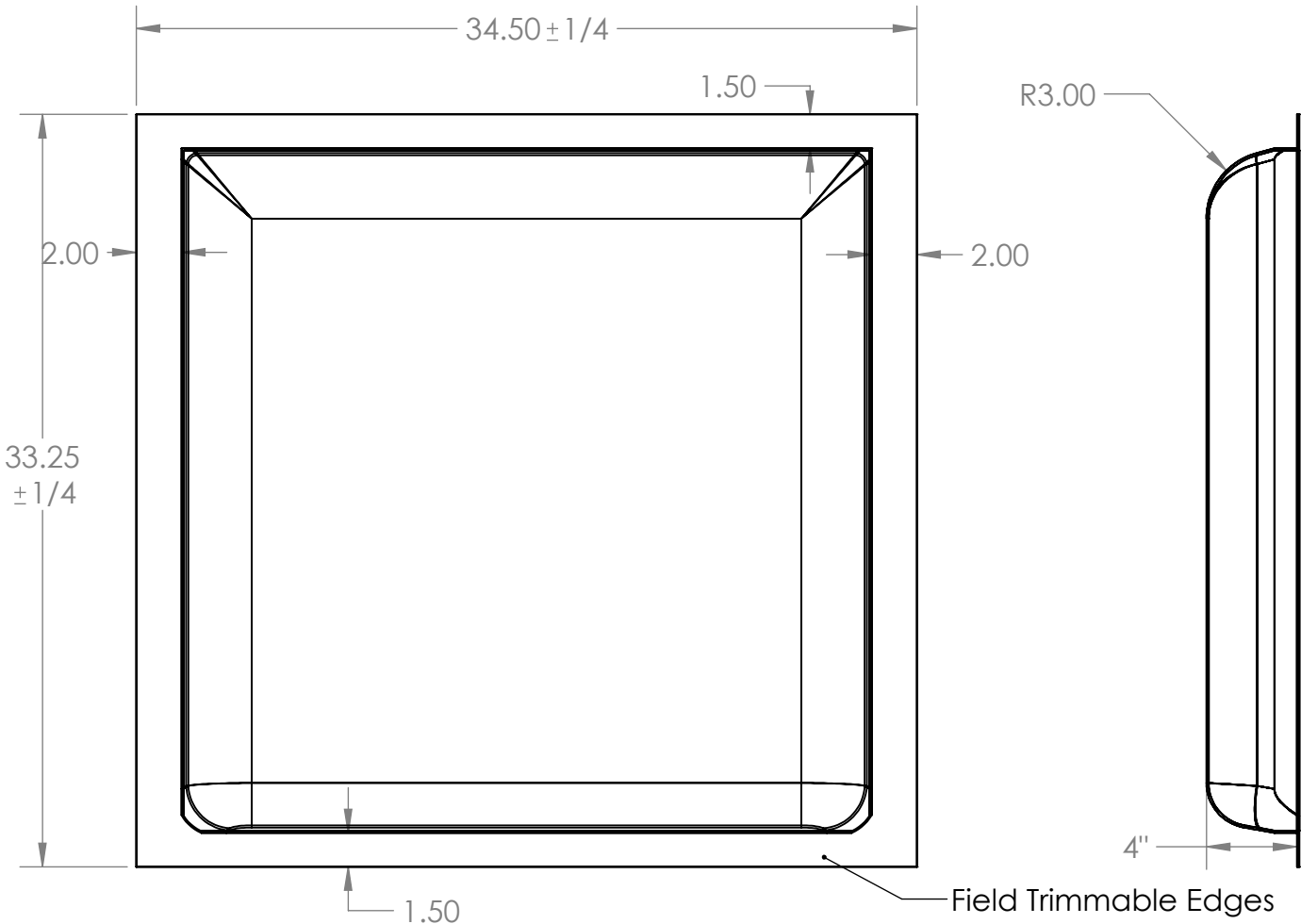
4" DOOR BAFFLE



R3.00



Tamper resistant wood screws provided for securing baffles to doors.



	NAME	DATE
DRAWN	KSB	11-16-15
CHECKED		
ENG APPR.		
MFG APPR.		
Q.A.		

COMMENTS:

Precision Lift Industries



SIZE	DWG. NO.	REV.
A	4" Door Baffle	-
SCALE: 1:8	WEIGHT:	SHEET 2 OF 2

PROPRIETARY AND CONFIDENTIAL

THE INFORMATION CONTAINED IN THIS DRAWING IS THE SOLE PROPERTY OF PRECISION LIFT INDUSTRIES. ANY REPRODUCTION IN PART OR AS A WHOLE WITHOUT THE WRITTEN PERMISSION OF PRECISION LIFT INDUSTRIES IS PROHIBITED.